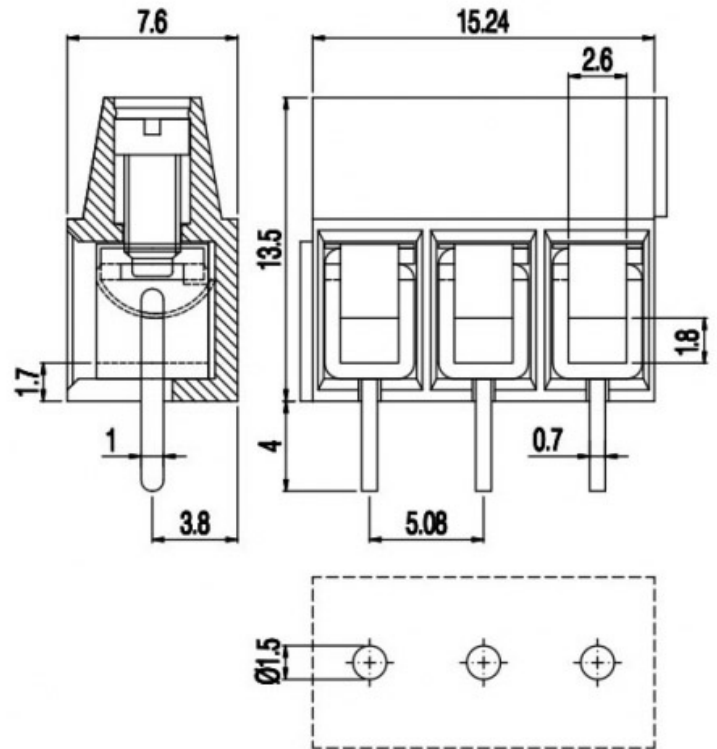


MVES15x-5,08-V



GENERAL INFORMATION

pitch:	5,08 mm
housing height:	13,50 mm
housing depth:	7.6 mm
dimensional class:	slow
wire section:	1.5 mm ² / 16 AWG
clamp opening size:	2.6 × 2.6 mm
wire stripping:	max 7 mm
operating temperature:	-40°C ÷ +130°C

ELECTRICAL CHARACTERISTICS

current:	17.5A
voltage:	250V
test voltage:	2 kVrms/60s

MECHANICAL CHARACTERISTICS

screw:	M2.5
max. torque:	0.4 Nm / 3.6 in.lbs

APPROVALS DATA



EN 60998-1



-



UL 1059

17.5A factory / 10A field

current:	17.5A
voltage:	250V
wire section:	1.5mm ²
torque:	0.4Nm
FILE:	EP151

-

-

-

-

-

300V

16÷30AWG

3.6Lb-in

E178356

MATERIALS

housing:	PA - UL 94 V0
----------	---------------

AVAILABLE COLOURS

screw:
clamp/spring:
terminal:

Galvanized steel
Tin-plated copper alloy
Tin-plated copper alloy



other colours:

upon request

poles	P/N	pcs/pack	W [Kg]*	W [Kg]*
2	MVES152-5,08-V	N/A	N/A	N/A
3	MVES153-5,08-V	N/A	N/A	N/A
..	MVES15..-5,08-V	N/A	N/A	N/A