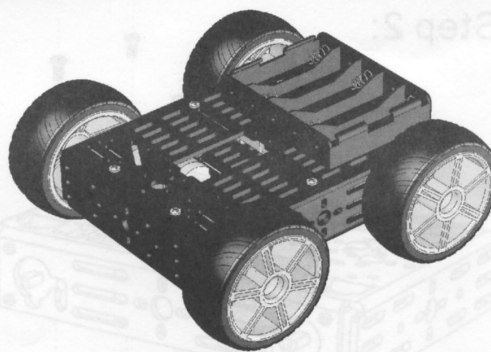
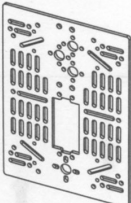
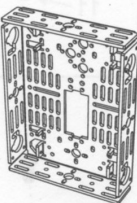
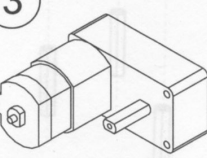
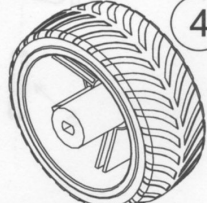
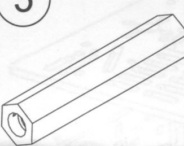

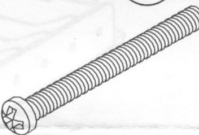
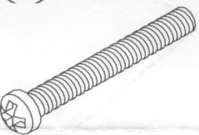
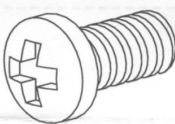


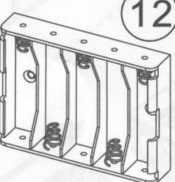
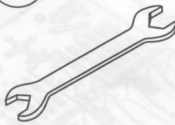



# DG012-BV Multi chassis\_4WD kit (basic version)

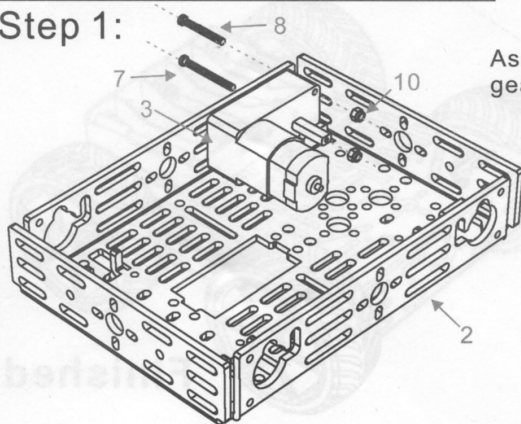


## Parts list:

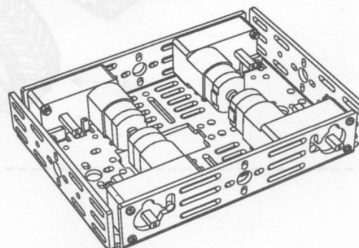
<p>1</p>  <p>Aluminum chassis top 1pc</p>	<p>2</p>  <p>Aluminum chassis bottom 1pc</p>	<p>3</p>  <p>DC motor 4pcs</p>	<p>4</p>  <p>Racing wheel 4pcs</p>	
<p>5</p>  <p>Distance holder M3*25 4pcs</p>	<p>6</p>  <p>M3*8 flat-head screw 6pcs</p>	<p>7</p>  <p>M2.5*25 screw 4pcs</p>	<p>8</p>  <p>M2.5*20 screw 4pcs</p>	<p>9</p>  <p>M3*8 screw 8pcs</p>
<p>10</p>  <p>M2.5 nylon screw 8pcs</p>	<p>11</p>  <p>M3 nut 2pcs</p>	<p>12</p>  <p>5*AA battery holder 1pc</p>	<p>13</p>  <p>Spanner (M2.5 &amp; M4) 1pc (M2 &amp; M3) 1pc</p>	<p>14</p>  <p>Screw driver 1pc</p>

## Assembly Instructions:

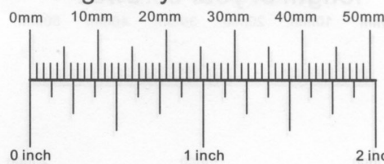
Step 1:



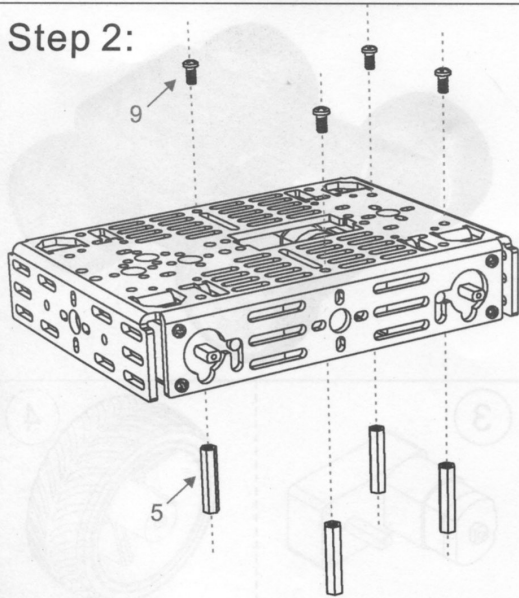
Assembly the gear box 4pcs



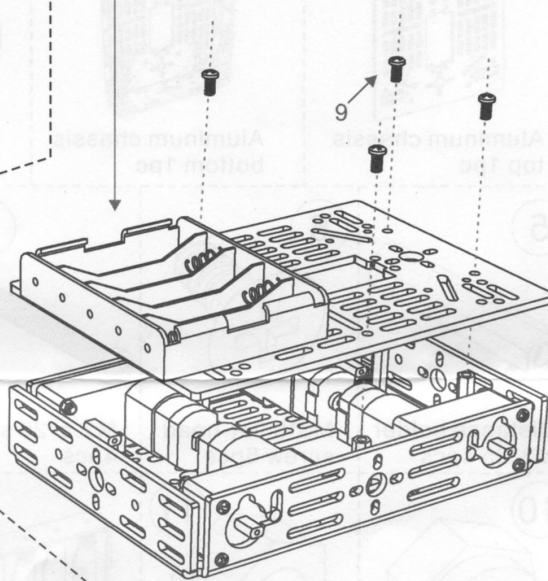
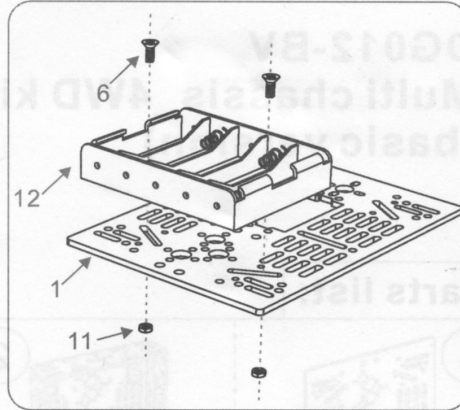
Use the ruler to check the length of your screws.



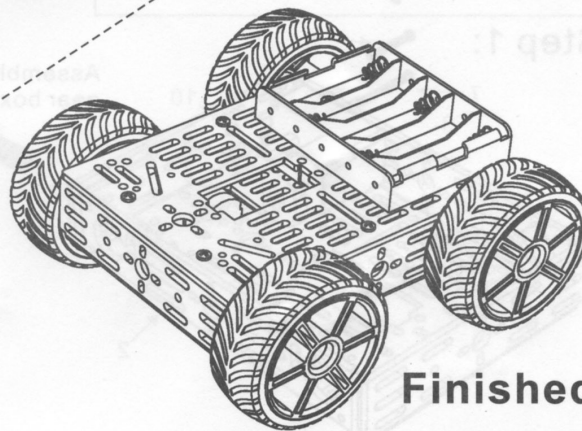
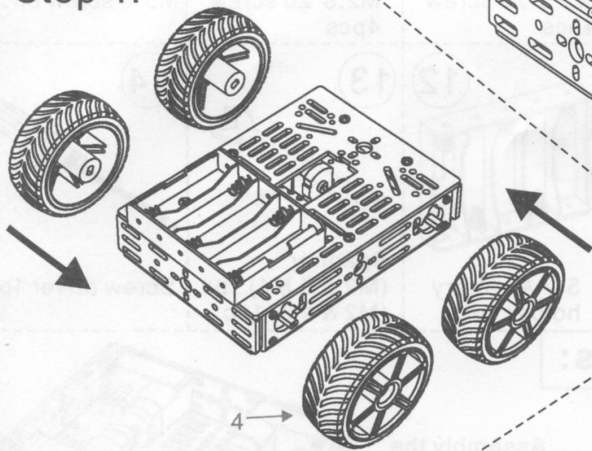
### Step 2:



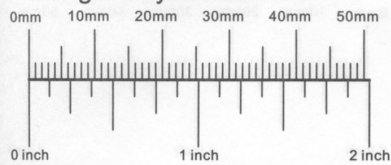
### Step 3:



### Step 4:



Use the ruler to check the length of your screws.



**Finished**