

# □ 56.4mm(□ 2.22in.)

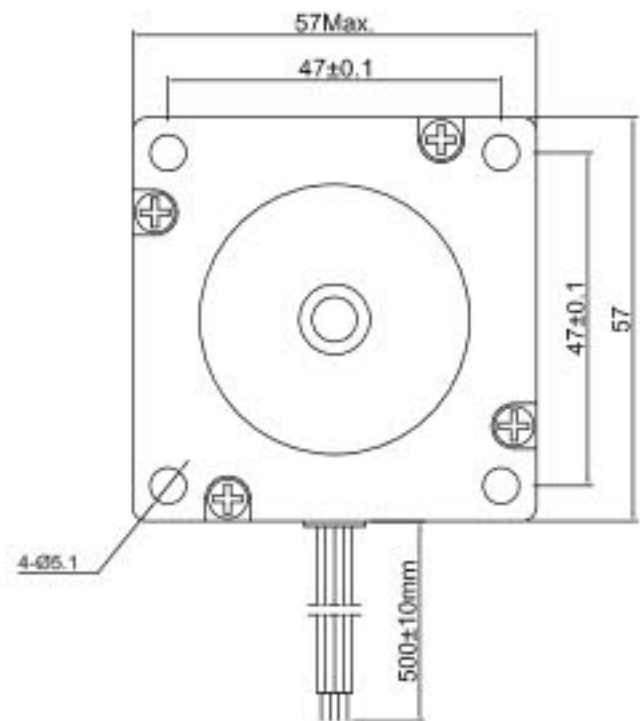
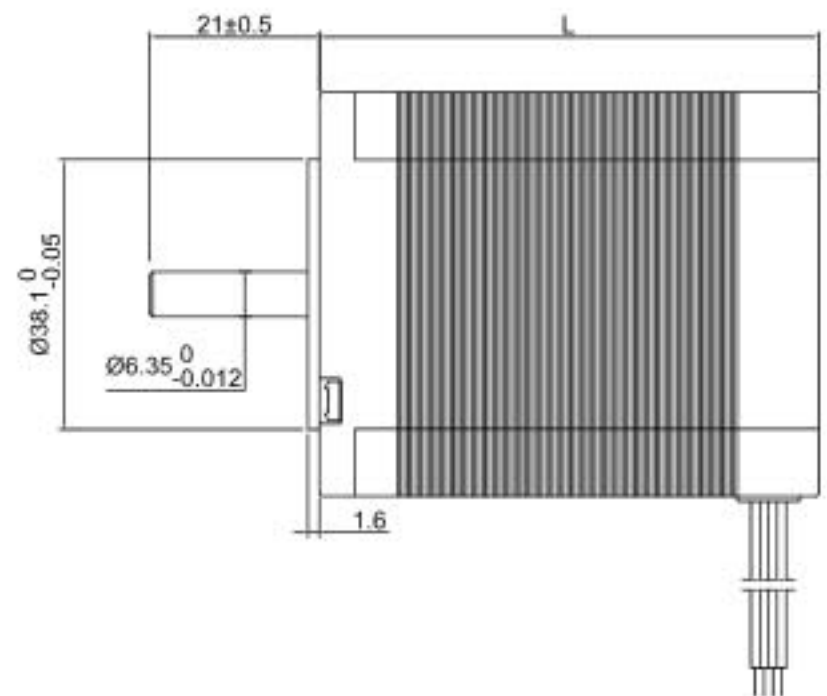
Step Angle 0.9° 23HM High-Resolution Type

### Common Rating

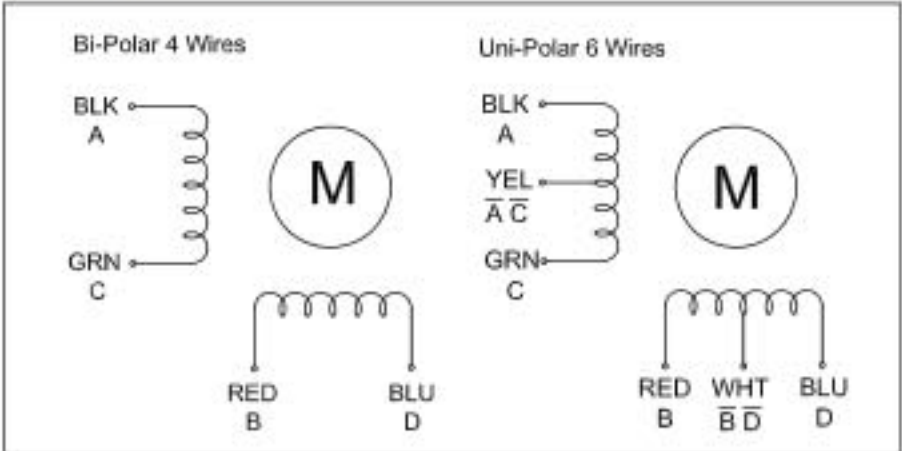
Item	Specification
Step Angle Accuracy	±5% (full step, no load)
Temperature Rise	80°C Max. (rated current, 2 phase on)
Ambient Temperature	-10°C - +50°C
Insulation Resistance	100MΩ Min. 500VDC
Dielectric Strength	500VAC for one minute



### Dimension Unit = mm(in.)



### Wiring Diagram



### Excitation Sequence

Excitation: 2-2

STEP	A	B	C	D
1	+	+		
2		+	+	
3			+	+
4	+			+

CCW ↑ CW

Excitation: 2-1-2

STEP	A	B	C	D
1	+			
2	+	+		
3		+		
4		+	+	
5			+	
6			+	+
7				+
8	+			+

CCW ↑ CW

### Specifications

Model	Torque		Voltage	Current	Resistance	Inductance	Inertia	Bi/Unipolar	Weight	Length "L"	
	Ncm	oz.in	V/Phase	A/Phase	Ohm/Phase	mH/Phase	g.cm <sup>2</sup>	# of Leads	Kg	mm	in
23HM30-2804S	189	267.6	3.2	2.8	1.13	5.6	480	Bi (4)	1	76	2.99