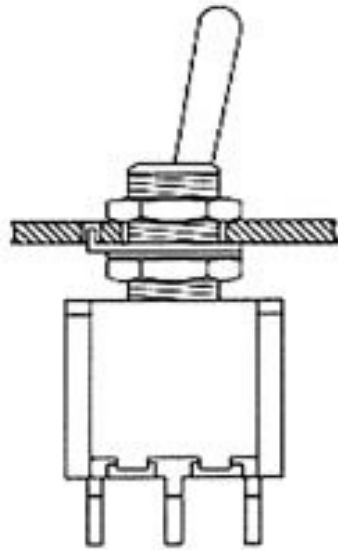
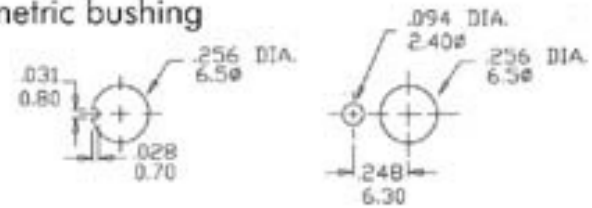


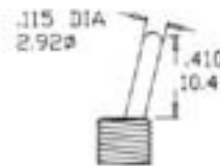
8014 (07006)



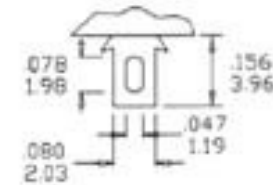
metric bushing



actuator

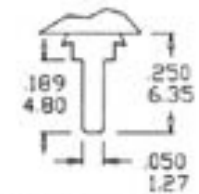


termination options



THK .030 (0.76)

STD



THK .030 (0.76)

printed circuit

dimensions in mm

