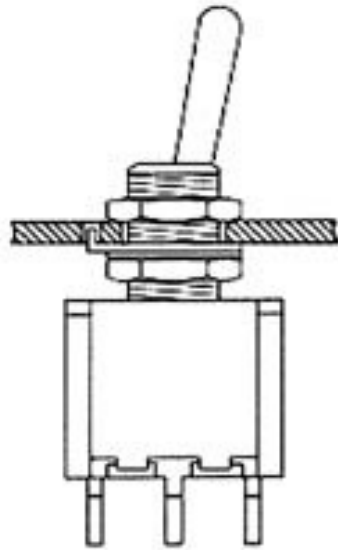
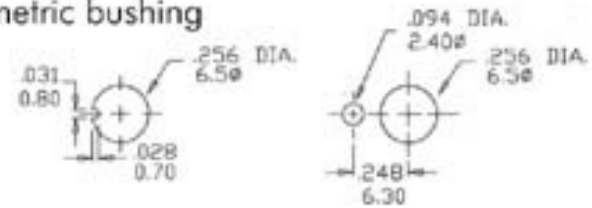


8012I (07011)



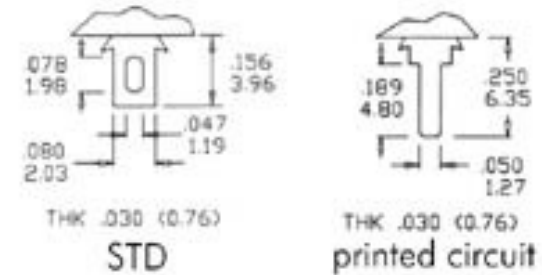
metric bushing



actuator



termination options



dimensions in mm

