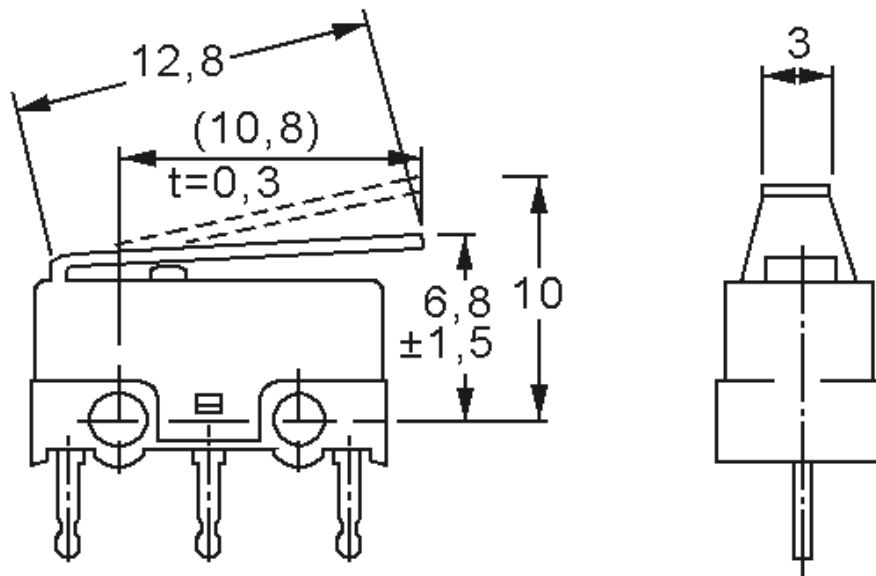
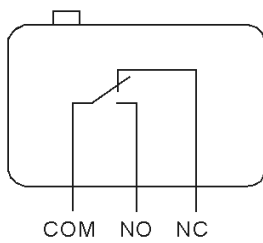


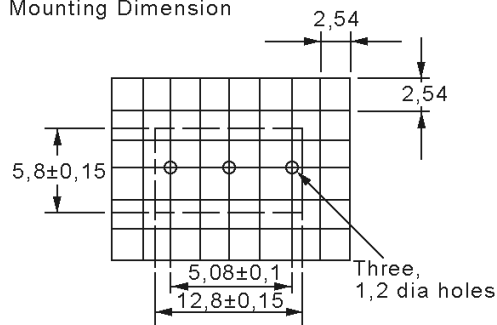
D2F223 (07187)



Contact Form



Mounting Dimension



Mounting Holes

Two, 2-dia mounting holes

