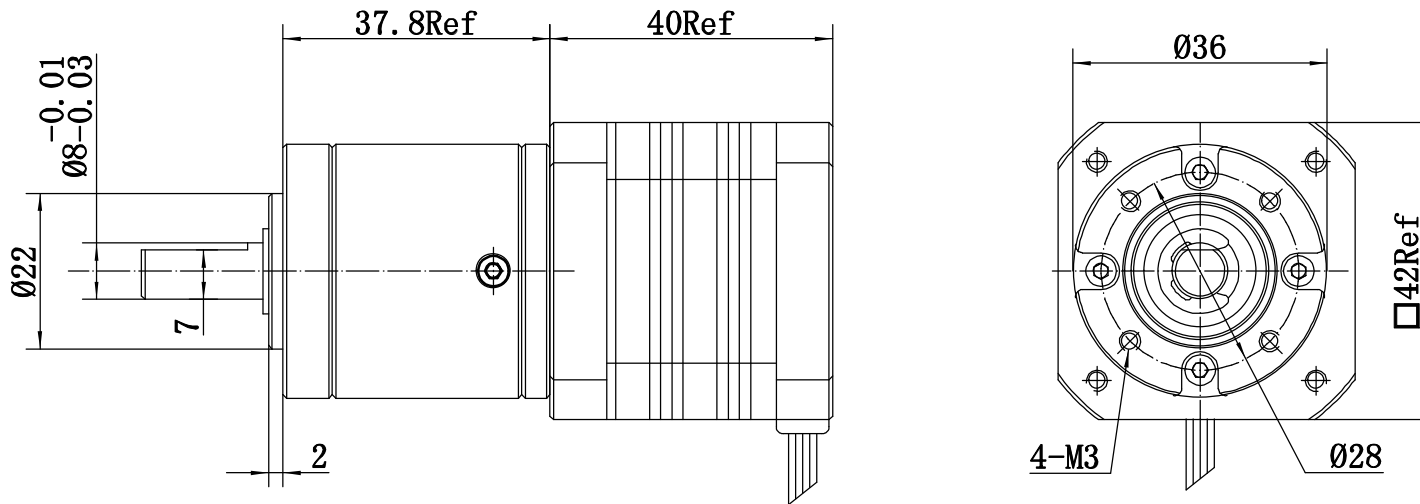


# 36PA27G/42BYG40-160-4A

Measurements are in mm



## Gear motor parameters

Step angle	步距角	1.8°												
Motor Length	机身长度	40mm												
Phase voltage	相电压	2.78V												
Phase current	相电流	1.6A												
Phase Resistance	相电阻	1.73Ω			GEAR PLANET STEPPER MOTOR		上海致贝电子有限公司 Shanghai zhibei electron Co., Ltd.							
Phase Inductance	相电感	3.2mH	Design	盛培明					2011.02.25					
Holding Torque	静力矩	3600g.cm	Drawing	盛培明	2011.02.25	36PA27G/42BYG40-160-4A		www.sh-jingkong.com TEL:86-21-64893314; FAX: 86-21-64894075						
Lead Wire	引线数	4	Inspection											
Reduction ratio	减速比	26.8	Approver			material		superficial treatment		Edition		SCALE	1:1	A4