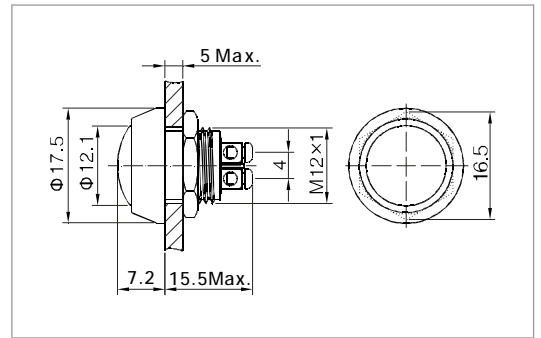


Colorized push button



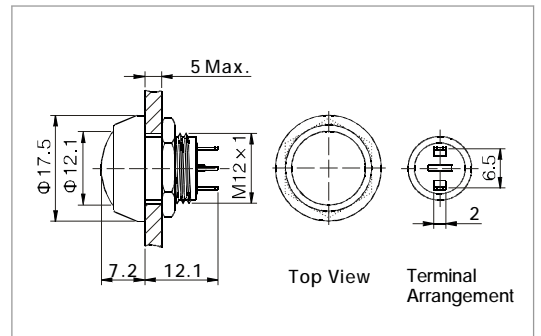
- ⊙ Φ 12mm Diameter
- ⊙ Switch Rating: 2A/36VDC
- ⊙ Contact Configuration: 1NO
- ⊙ Operation Type: Momentary
- ⊙ The Crust Material: Zn-Al Alloy
- ⊙ Material of actuator: PBT
- ⊙ Head Color: **R G Y O B W N**
- ⊙ IP Degree: IP65, IK08



Colorized push button



- ⊙ Φ 12mm Diameter
- ⊙ Switch Rating: 2A/36VDC
- ⊙ Contact Configuration: 1NO
- ⊙ Operation Type: Momentary
- ⊙ The Crust Material: Zn-Al Alloy
- ⊙ Material of Actuator: PBT
- ⊙ Head Color: **R G Y O B W N**
- ⊙ IP Degree: IP65, IK08



Specification	GQ12B-10/Δ/A	GQ12B-10/J/Δ/A	
Terminal Type	Screw Terminal	Pin Terminal(2×0.5mm)	
Switching	X(double-break slow-motion contact)	X(double-break slow-motion contact)	
Max. Switch Rating	2A/36VDC	2A/36VDC	
Contact Resistance	≤50mΩ	≤50mΩ	
Insulation Resistance	≥1000MΩ	≥1000MΩ	
Dielectric Intensity	2000VAC	2000VAC	
Operating Temp	-20°C ~ +55°C	-20°C ~ +55°C	
Mechanical Life	1,000,000 cycles	1,000,000 cycles	
Electrical Life	200,000 cycles	200,000 cycles	
Panel Thickness	1 ~ 5mm	1 ~ 5mm	
Torque	5 ~ 14Nm	5 ~ 14Nm	
Operation Pressure	About 5N	About 5N	
Operation Travel	About 2.5mm	About 2.5mm	
IP Degree	IP65, IK08	IP65, IK08	
Material	Contact	Sliver Alloy	
	Button	PBT	
	Body	Zn-Al Alloy	
	Base	PBT	
	RoHS	Made to order	Made to order
Head Color	R G Y O B W N	R G Y O B W N	