

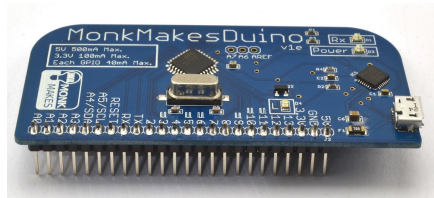
Datasheet:



MONKMAKESDUINO

An Arduino Uno compatible microcontroller board.

- ATmega328 microcontroller
- CP2102 USB Interface IC
- Breadboard friendly
- Select Arduino Uno/Genuino from Arduino IDE Board Selector
- Polyfuse 500mA

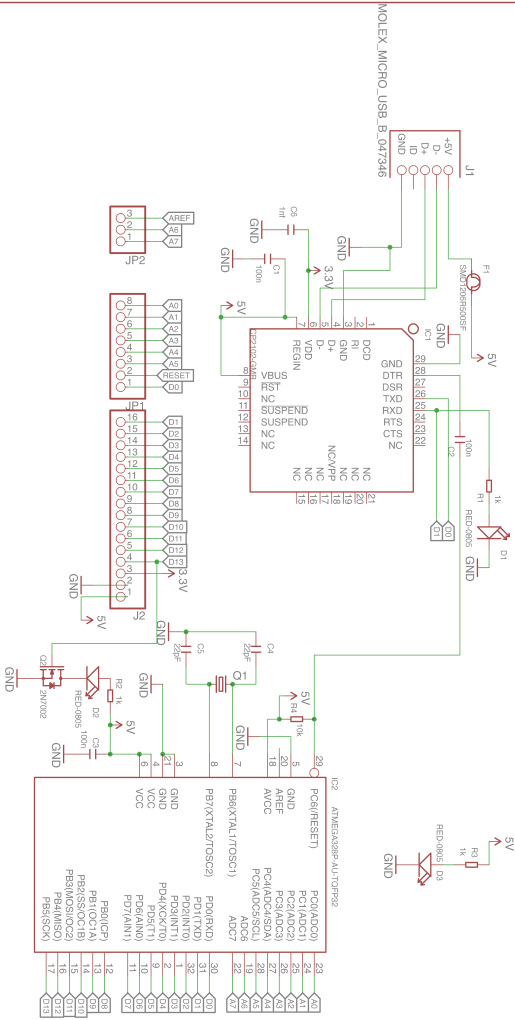


Absolute Maximum Ratings

		Units
Output current per GPIO	40	mA
3.3V regulated output current	100	mA
5V USB output current	500	mA

Electrical Characteristic

		Units
Clock frequency (crystal)	16	MHz
Buffered 'L' LED on pin 13		



MonKmakesDduino <http://monkmakes.com/rmd>

TITLE: mmm_duino_1_0e

Document Number:

REV:

Date: 26/03/2020 11:57

Sheet: 1/1