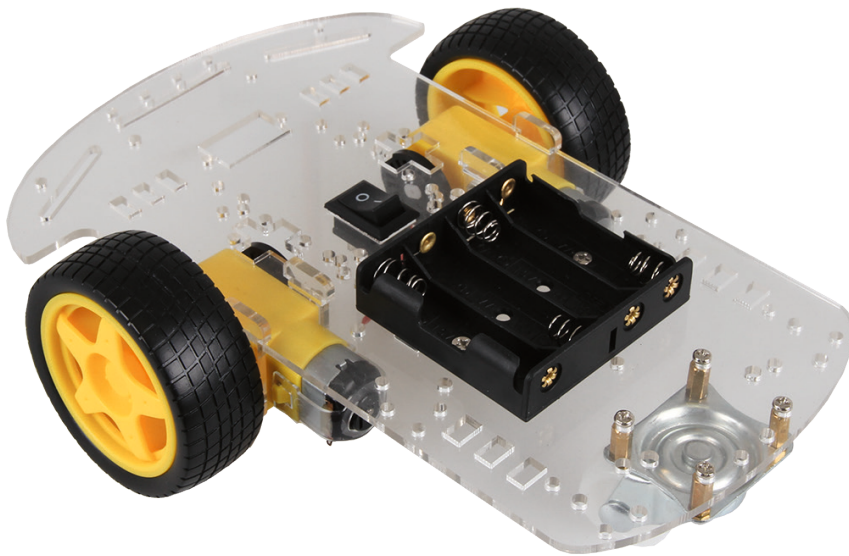


ROBOT05

Robot car kit for Raspberry Pi & Arduino



1. INTRODUCTION & OVERVIEW

Dear customer,

thank you for choosing our product. In the following, we will show what you should note at the commissioning and during the usage.

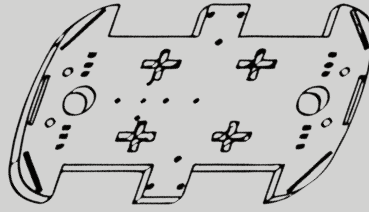
Should you encounter any unexpected problems during use, please do not hesitate to contact us.

The Robot Car Kit 05 is a construction set which can function as the basic structure for a car / robot. You must add yourself further components like an energy source (batteries) and a control like for example an Arduino with a motor controller. We recommend using Joy-IT appurtenances.

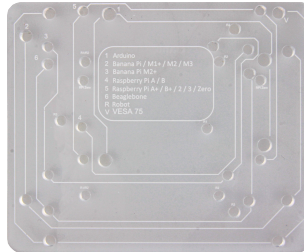
| | |
|----------------|-------------|
| motor voltage | 4.5 - 9V DC |
| current (idle) | 190 - 200mA |

Included materials:

1x base plate



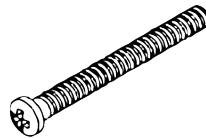
1x mounting plate



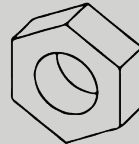
1x mounting plate kit



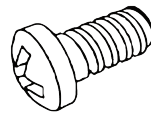
4x screws (M3x30)



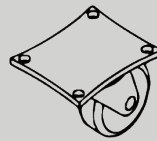
4x nuts (M3)



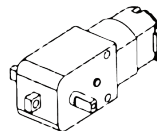
2x screws (M3x10)



1x front axle



2x motors



2x wheels



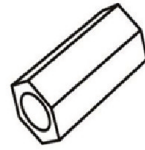
2x perforated discs



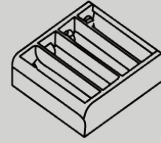
4x motor brackets



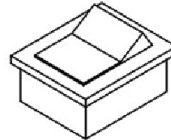
4x spacers



1x battery compartment



1x switch



2. SAFETY INSTRUCTIONS

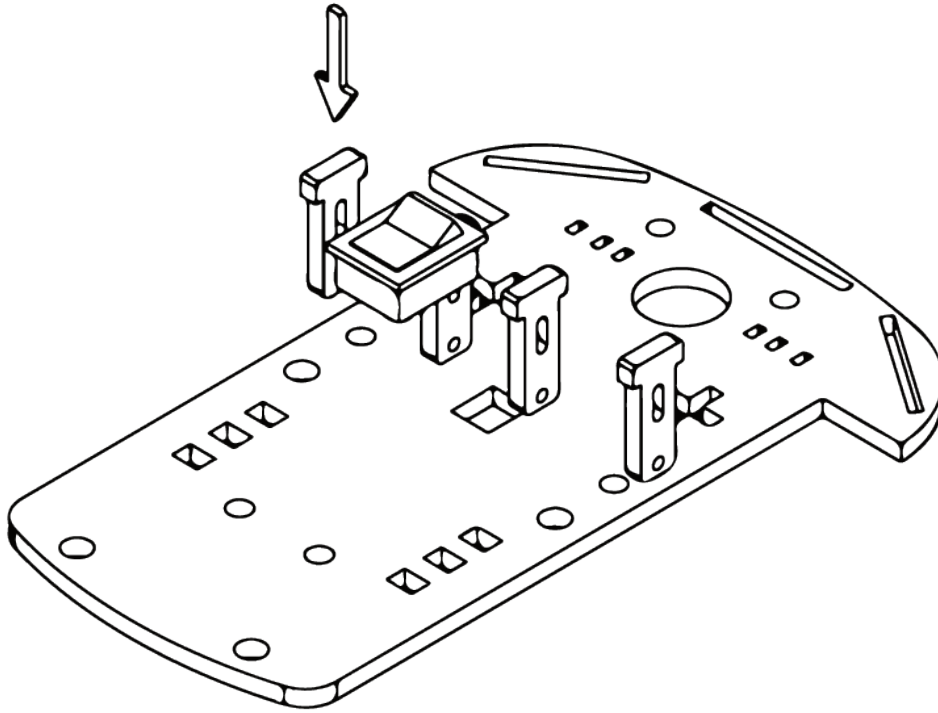
The device must not be unsupervised. Separate the power supply or rather the voltage source (e.g. batteries) if you are not using the device. This device is not a toy. It contains swallowable small parts and it is not appropriate for children. Acrylic plates can break at an overload.

The motors must not be blocked or overloaded. This can cause a great heat development. The motor can generate heat during operation, so let the motors cool down before you touch them. The kit is built for the use in dry rooms, it must not be wet or moist. Strong solar radiation should be prevented. Note also the safety instructions of the additionally purchased components. Especially, during soldering is a high risk of burn injuries.

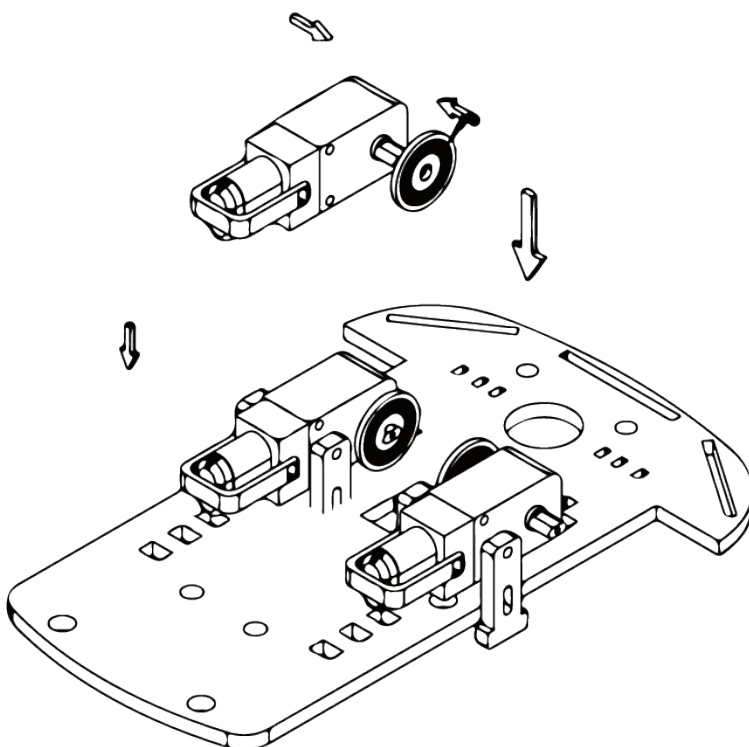
3. ASSEMBLY

Attention! We recommend installing supply lines for the motors before the assembly of the vehicle.

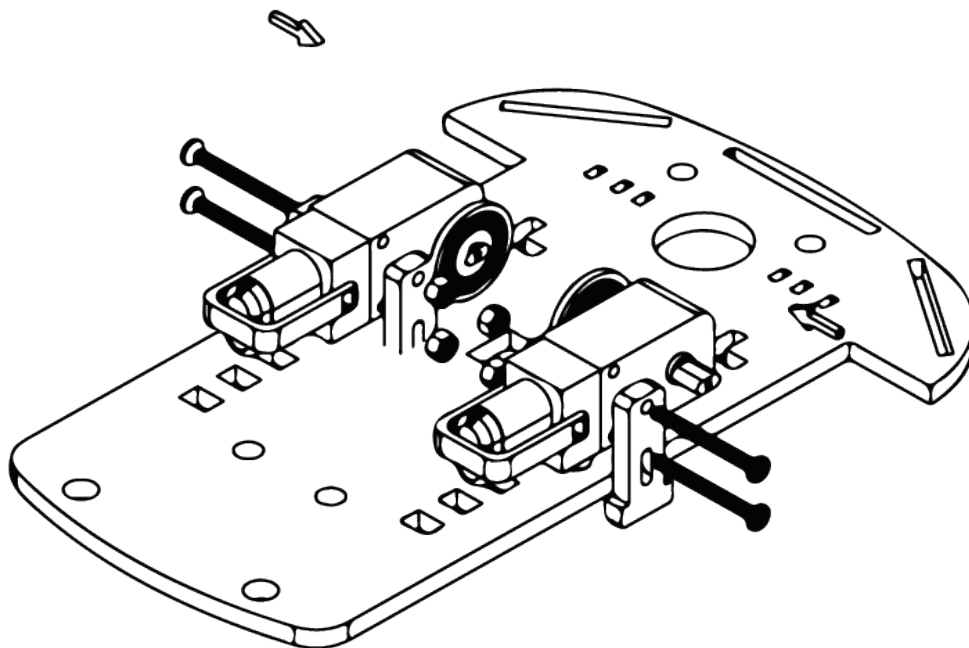
First, apply the motor brackets and the switch onto the base plate. But beforehand, remove the yellow protective film.



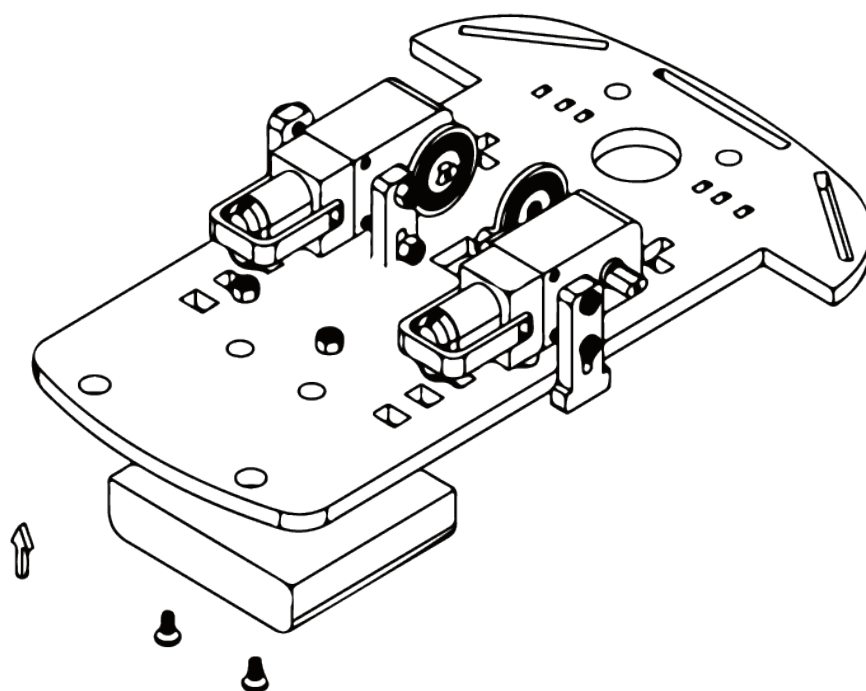
The axle hole of the perforated discs have a broad and a slim side. The broad side should point to the motor. Mount the perforated discs at the motors and mount them onto the brackets.



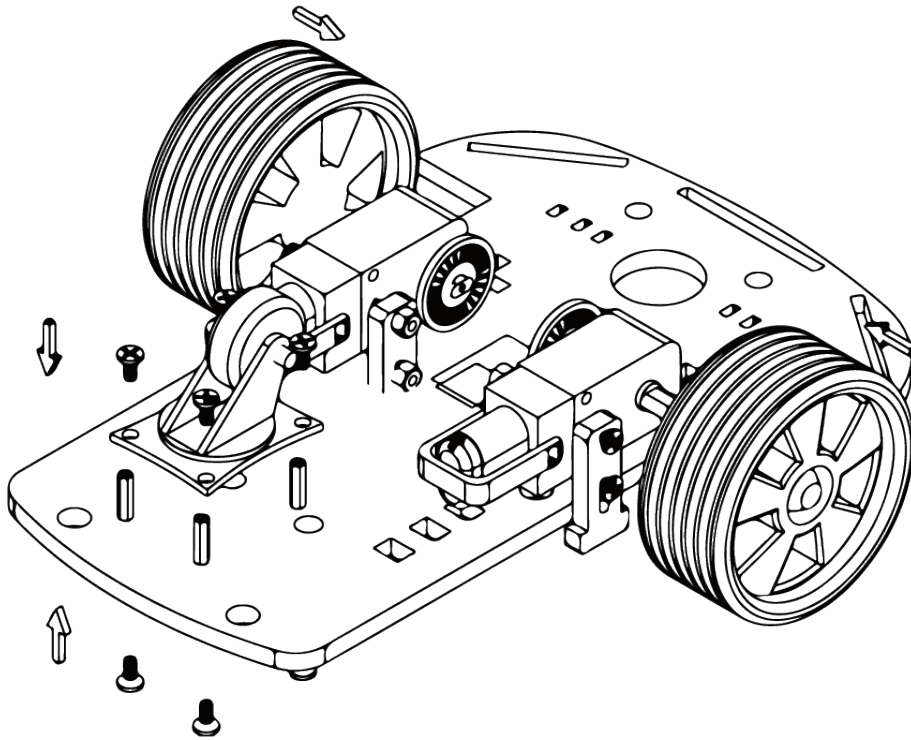
Now screw the motor tight.



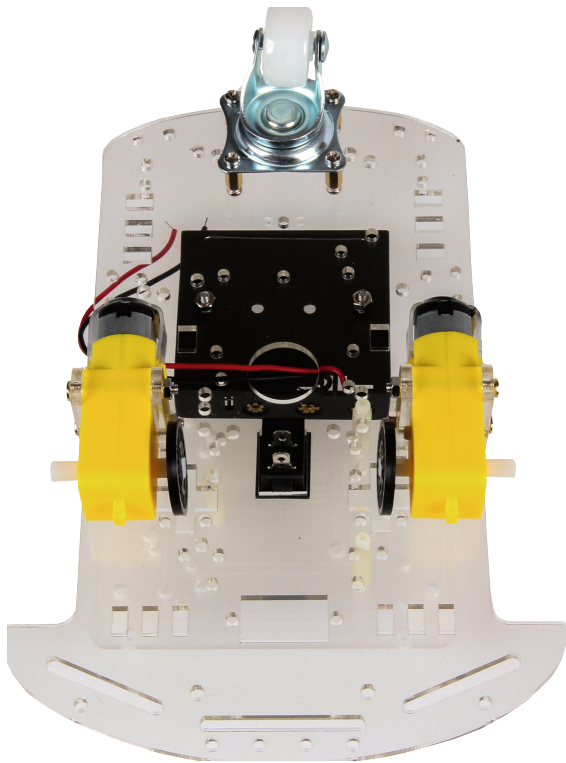
Mount the battery compartment.



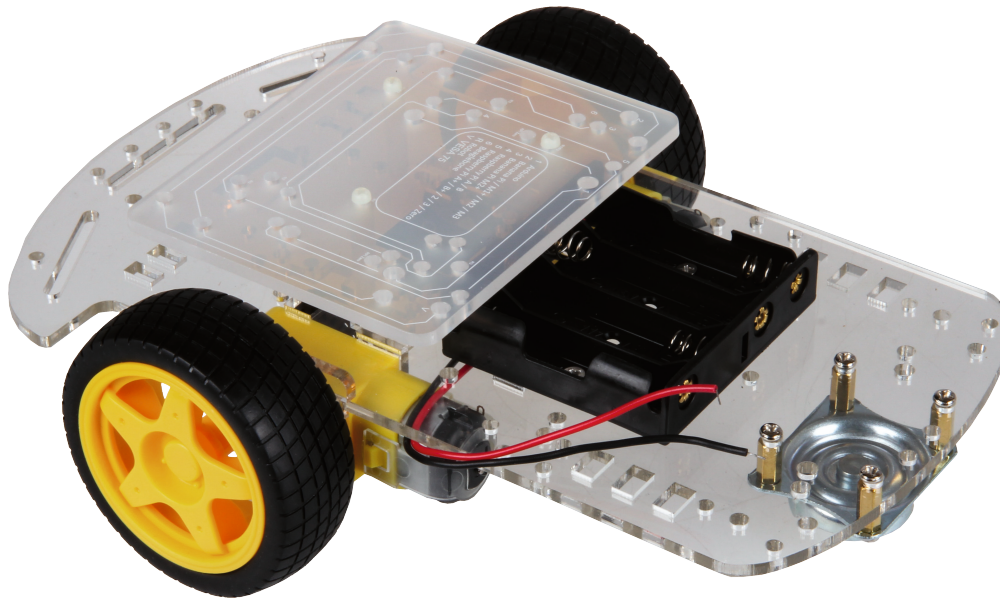
Put in the spacers and mount the front axle.



Now mount the mounting plate with the help of the enclosed mounting plate kit. The according mounting holes for Robot05 are marked on the mounting plate as **R1**.



The assembly is now finished. You can mount a microcontroller of your choice on the mounting plate and use the Robot05.



4. INFORMATION AND REDEMPTION OBLIGATIONS

Symbol on electrical and electronic products



This crossed-out bin means that electrical and electronic products do **not** belong into the household waste. You must hand over your old appliance to a registration office. Before you can hand over the old appliance, you must remove used batteries and accumulators which are not enclosed by the device.

Return options :

As the end user, you can hand over with the purchase of a new device your old appliance (which has essentially the same functions as the new one) free of charge for disposal. Small devices which do not have outer dimensions greater than 25 cm can be submitted independently of the purchase of a new product in normal household quantities.

Possibility of restitution at our company location during our opening hours :

Simac GmbH, Pascalstr. 8, D-47506 Neukirchen-Vluyn

possibility of restitution nearby :

We send you a parcel stamp with which you can send us your old appliance free of charge. For this possibility, you must contact us via e-mail at service@joy-it.net or via telephone.

information about packaging:

Please package your old appliance safe during transport. Should you not have a suitable packaging material or you do not want to use your own material, you can contact us and we will send you an appropriate package.

5. SUPPORT

If any questions remain open or problems arise after your purchase, we are available by e-mail, telephone and with a ticket support system to answer these.

E-Mail: service@joy-it.net

Ticket-System: <http://support.joy-it.net>

Telephone: +49 (0)2845 98469 – 66 (10 - 17 o'clock)

For further information visit our website:

www.joy-it.net