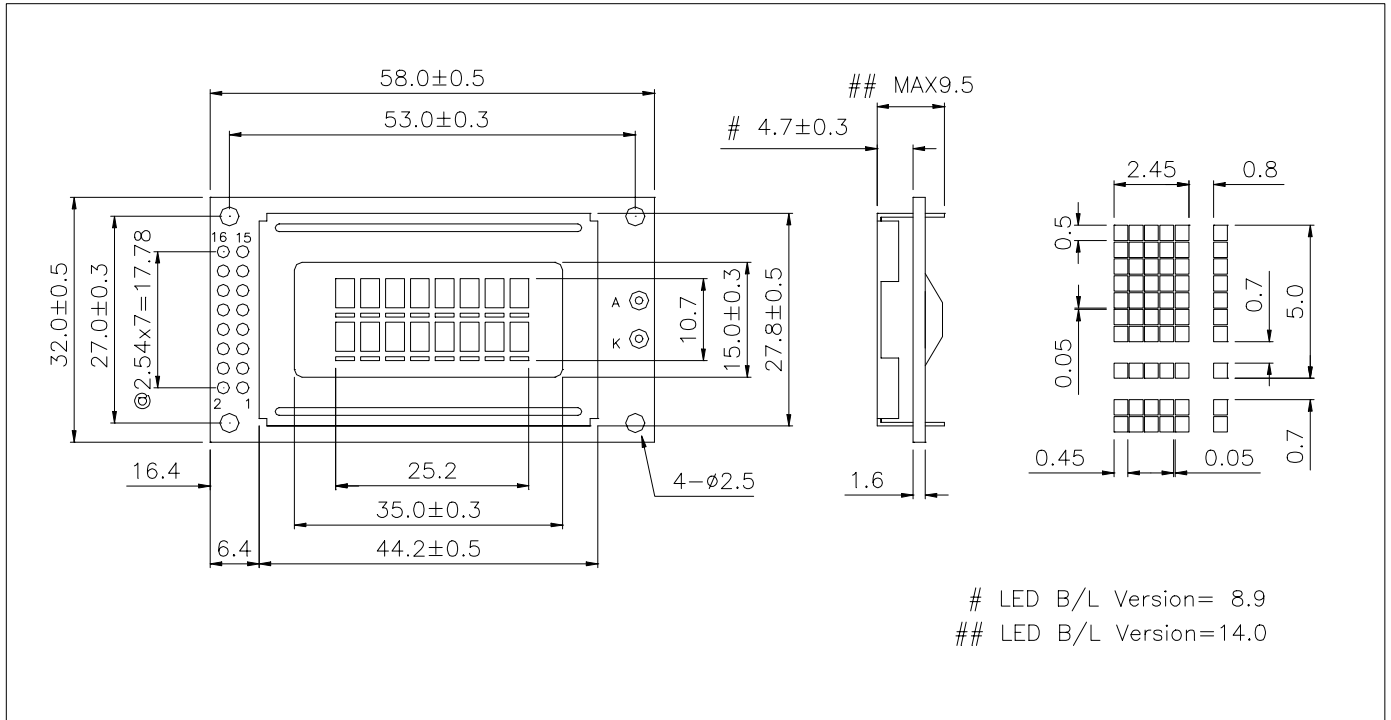


LMB0820

8 characters x 2 lines



ABSOLUTE MAXIMUM RATINGS

| Item | Symbol | Min. | Max. | Unit |
|-----------------------|-----------------------------------|------|-----------------------|------|
| Supply Voltage(Logic) | V _{DD} - V _{SS} | -0.3 | 7.0 | V |
| Supply Voltage(LCD) | V _{DD} - V _O | -0.3 | 13.0 | V |
| Input Voltage | V _I | -0.3 | V _{DD} + 0.3 | V |
| Operating Temp. | T _{opr} | 0 | 50 | °C |
| Storage Temp. | T _{stg} | -10 | 60 | °C |

MECHANICAL DATA

| Item | Nominal Dimensions | Unit |
|--------------------------|--------------------|------|
| Module Size(W x H x T) | 58.0 x 32.0 x 9.5 | mm |
| Viewing Area(W x H) | 35.0 x 15.0 | mm |
| Character Size(W x H) | 2.45 x 5.0 | mm |
| Dot Size(W x H) | 0.45 x 0.5 | mm |
| Weight | | g |

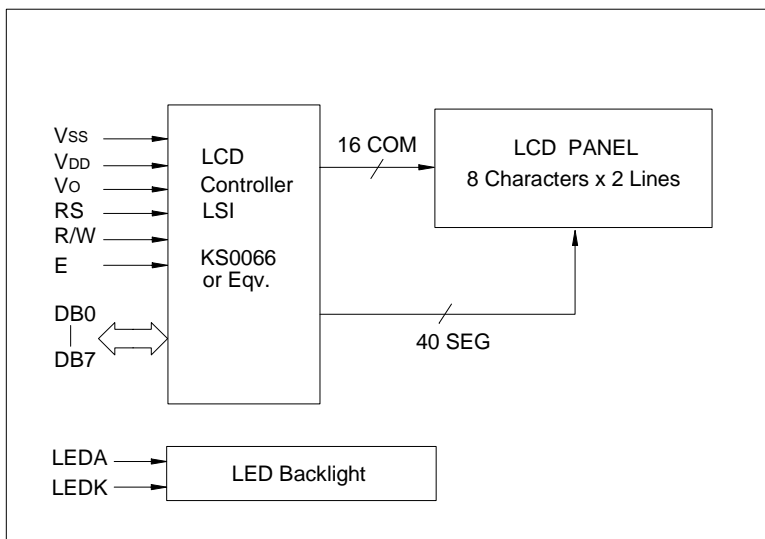
ELECTRICAL CHARACTERISTICS (V_{DD}=5V±0.25V)

| Item | Symbol | Test Condition | Min. | Typ. | Max. | Unit |
|---------------------|----------------------------------|---------------------------|-------|------|-----------------|------|
| Input High Voltage | V _{IH} | -- | 2.2 | -- | V _{DD} | V |
| Input Low Voltage | V _{IL} | -- | - 0.3 | -- | 0.6 | V |
| Output High Voltage | V _{OH} | I _{OH} = - 0.2mA | 2.4 | -- | V _{DD} | V |
| Output Low Voltage | V _{OL} | I _{OL} = 1.2mA | 0 | -- | 0.4 | V |
| Supply Current | I _{DD} | V _{DD} = 5.0V | -- | 1.2 | 3.0 | mA |
| LCD Driving Voltage | V _{DD} - V _O | T _a =25°C | -- | 5.0 | -- | V |

PIN CONNECTIONS

| Pin | Symbol | Level | Function |
|-----|-----------------|----------|----------------------------------|
| 1 | V _{SS} | -- | GND (0V) |
| 2 | V _{DD} | -- | Supply Voltage for Logic(+5V) |
| 3 | V _O | -- | LCD Driving Voltage |
| 4 | RS | H/L | H : Data L : Instruction Code |
| 5 | R/W | H/L | H : Read L : Write |
| 6 | E | H, H > L | Enable Signal |
| 7 | DB0 | H/L | Data Bus Line |
| 8 | DB1 | H/L | |
| 9 | DB2 | H/L | |
| 10 | DB3 | H/L | |
| 11 | DB4 | H/L | |
| 12 | DB5 | H/L | |
| 13 | DB6 | H/L | |
| 14 | DB7 | H/L | |
| 15 | LEDA | -- | LED Backlight Power Supply |
| 16 | LEDK | -- | |

BLOCK DIAGRAM



LED BACKLIGHT SPECIFICATIONS (T_a=25°C)

| Item | Symbol | Typ. | Max. | Unit |
|----------------------|----------------|------|------|------|
| Forward Voltage | V _f | 4.05 | 4.25 | V |
| Forward Current | I _f | 60 | -- | mA |
| Emission Wave Length | λ _p | 568 | -- | nm |