

# SPECIFICATION FOR DYNAMIC SPEAKER

Customer	
Customer P/N	
BeStar Model Name	BMS1818-11-04H09 LF
Product No.	138300
Issue No.	BS/TES01.513A
Issue Date	05/12/10

## Approval:

- 1.Characteristic
- 2.Typical Frequency Response Curve
- 3.Dimension
- 4.Reliability Test
- 5.Packing
- 6.History change record

Drawn by	Checked by	Approved by	Customer approved
朱成兴	王善梅	郭敏	

For conform to the European Union Directive on the Restriction of Hazardous Substances(RoHS), this type of productions forbid use all the hazardous substances as follow:

Lead  
Cadmium  
Mercury  
Hexavalent chromium  
Polybrominated biphenyls (PBB)  
Polybrominated diphenyl ethers (PBDE)



**BESTAR ELECTRONICS INDUSTRY CO.,LTD**  
No.199 HuangHe West Road.New district,changzhou,  
jiangsu Province,P.R.China  
Tel:86-519-8222567 Fax:86-519-8222551  
Http:www.be-star.com  
E-mail: wu@be-star.com, info@be-star.com

# BMS1818-11-04H09 LF

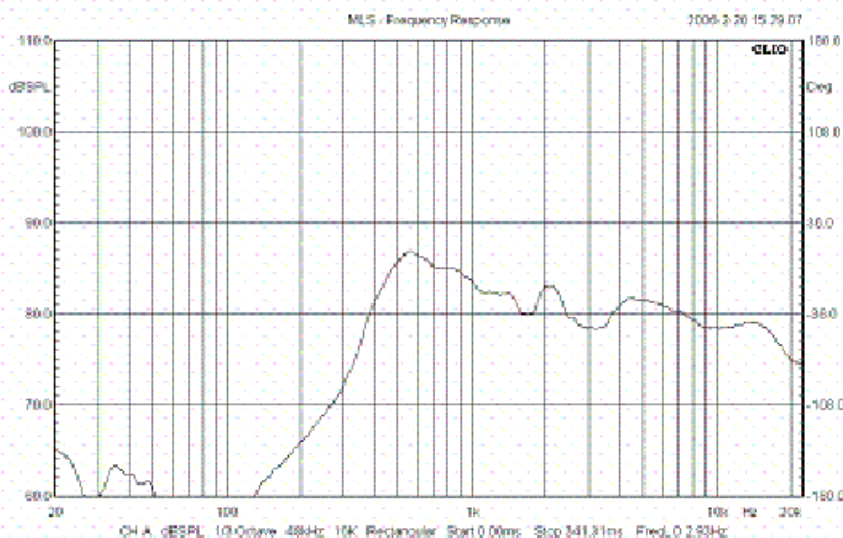


## 1. Characteristic

### 1.1 Electrical and Mechanical Characteristics

No.	Item	Specification
1.	Impedance(at 1.5kHz)	$4 \pm 15\% \Omega$
2.	Rated Input Power	2W
3.	Maximum Input Power	2.5W
4.	Resonance Frequency	$520 \pm 104\text{Hz}$
5.	Frequency Response	F0 ~ 20KHz
6.	Output SPL	$84 \pm 3\text{dB}/0.3\text{M } 1\text{W}$ at 0.6, 0.8, 1.0, 1.2KHz average
7.	Distortion ( at 1kHz, 2W )	$\leq 5\%$
8.	Buzzes & Rattles	Must be normal at sine wave 2.83V
9.	Operating Temperature	-20 ~ +65° C
10.	Storage Temperature	-20 ~ +70° C

## 2. Typical Frequency Response Curve

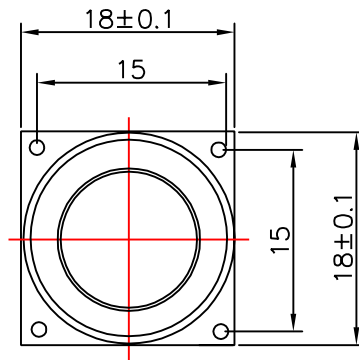
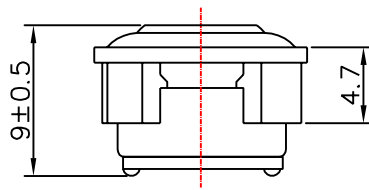
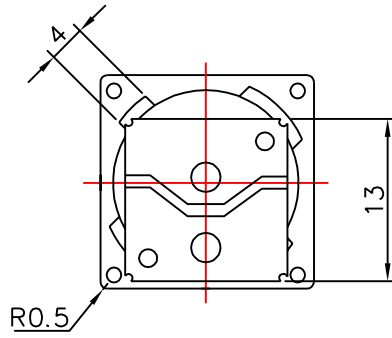


				Date:	05/12/10	BMS1818-11-04H09 LF	
				Drawn by:	朱成兴		
A	05/12/10	朱成兴		Checked by:	王善梅	Speaker	
Rev.	Date	Drawn	Note	Approved by:	郭敏		
BESTAR ELECTRONICS INDUSTRY CO.,LTD						DRG NO: BS/TES01.513A	Page: 1 of 5
www.be-star.com wu@be-star.com							

This print and information there in are proprietary to Bestar Electronics Industry Co., Ltd. and shall not be used in whole or in part without its written content

# BMS1818-11-04H09 LF

## 3. Dimension



Unit:mm

				Date:	05/12/10	BMS1818-11-04H09 LF
				Drawn by:	朱成兴	
A	05/12/10	朱成兴		Checked by:	王善梅	Speaker
Rev.	Date	Drawn	Note	Approved by:	郭敏	

**BESTAR ELECTRONICS INDUSTRY CO.,LTD**

www.be-star.com wu@be-star.com

DRG NO: BS/TES01.513A

Page:2 of 5

# BMS1818-11-04H09 LF

## 4. Reliability Test

### 4.1 Load Test

Power Pink noise with 520Hz low cut filter 2W  
 Duration 100hrs

### 4.2 High Temperature Test

Temperature  $+70\pm 3^{\circ}\text{C}$   
 Relative Humidity 20%-50%RH  
 Duration 16hrs

### 4.3 Low Temperature Test

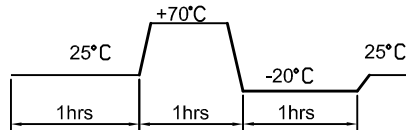
Temperature  $-20\pm 3^{\circ}\text{C}$   
 Duration 16hrs

### 4.4 Damp Heat

Temperature  $40\pm 3^{\circ}\text{C}$   
 Relative Humidity 90%-95%RH  
 Duration 16hrs

### 4.5 Temperature Cycle Test

Cycle 4



### 4.6 Drop Test

Height 100cm (in state of packing)  
 Times 10 (Drop onto hardwood board)

All these tests above should be measured after leaving normal temperature for 1hrs.

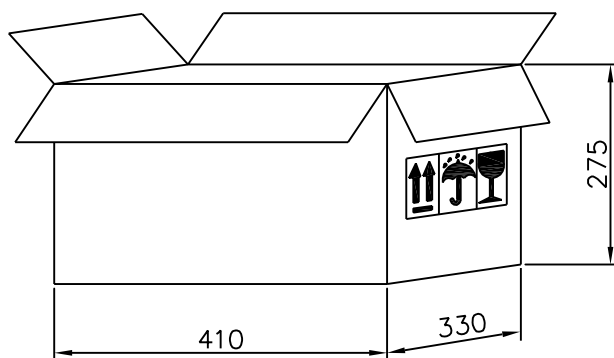
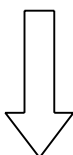
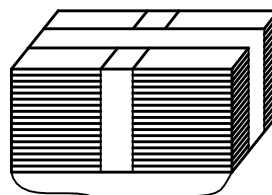
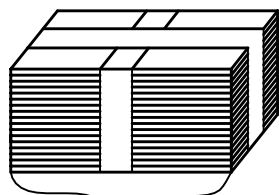
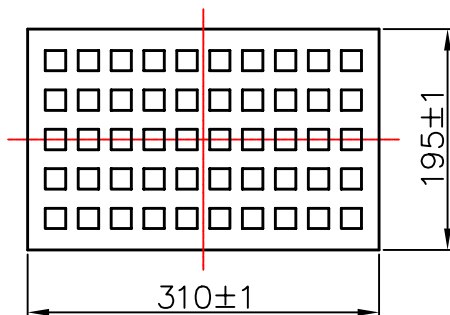
sensitivity difference at 1kHz shall be within  $\pm 3\text{dB}$  from initial value after test.

This print and information there in are proprietary to Bestar Electronics Industry Co., Ltd. and shall not be used in whole or in part without its written content

				Date:	05/12/10	BMS1818-11-04H09 LF	
				Drawn by:	朱成兴		
A	05/12/10	朱成兴		Checked by:	王善梅	Speaker	
Rev.	Date	Drawn	Note	Approved by:	郭敏		
BESTAR ELECTRONICS INDUSTRY CO.,LTD						DRG NO: BS/TES01.513A	Page:3 of 5
www.be-star.com wu@be-star.com							

# BMS1818-11-04H09 LF

## 5. Packing



**Remark:**

50 pcs per tray  
 20 trays for unit, 2 units per carton  
 Total 2000pcs per carton  
 Size: 41 × 33 × 27.5(cm)

This print and information there in are proprietary to Bestar Electronics Industry Co., Ltd. and shall not be used in whole or in part without its written content.

Date: 05/12/10

Drawn by: 朱成兴

Checked by: 王善梅

Approved by: 郭敏

**BMS1818-11-04H09 LF**

**Speaker**

**BESTAR ELECTRONICS INDUSTRY CO.,LTD**

www.be-star.com wu@be-star.com

DRG NO: BS/TES01.513A

Page:4 of 5

# BMS1818-11-04H09 LF

## 6. History change record

version No.	Change Items		Date	Drawn	Approved
	Before	After			
A			05/12/10	朱成兴	郭敏

This print and information there in are proprietary to Bestar Electronics Industry Co., Ltd. and shall not be used in whole or in part without its written content.

				Date:	05/12/10	<b>BMS1818-11-04H09 LF</b>	
				Drawn by:	朱成兴		
A	05/12/10	朱成兴		Checked by:	王善梅	<b>Speaker</b>	
Rev.	Date	Drawn	Note	Approved by:	郭敏		
<b>BESTAR ELECTRONICS INDUSTRY CO.,LTD</b>						DRG NO: BS/TES01.513A	Page:5 of 5
www.be-star.com wu@be-star.com							