

# □ 35.2mm (□ 1.38in.)

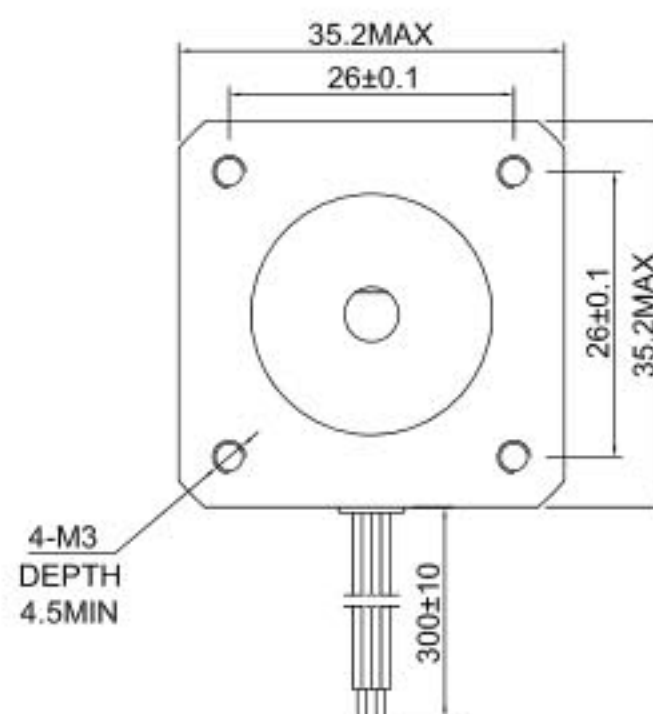
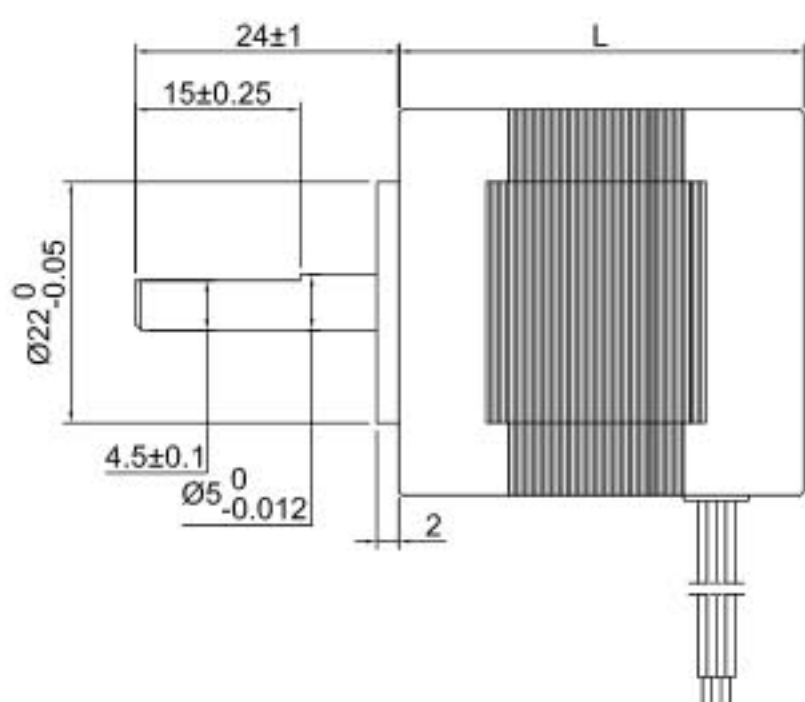
Step Angle 0.9° 14HM High-Resolution Type

## Common Rating

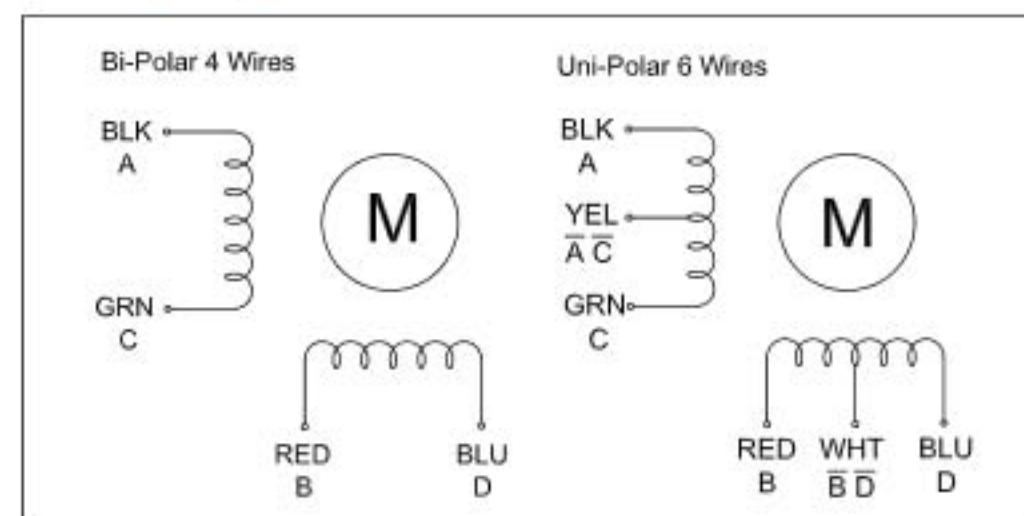
Item	Specification
Step Angle Accuracy	±5% (full step, no load)
Resistance Accuracy	±10%
Inductance Accuracy	±20%
Temperature Rise	80°C Max. (rated current, 2 phase on)
Ambient Temperature	-10°C ~ +50°C
Insulation Resistance	100MΩ Min. 500VDC
Dielectric Strength	500VAC for one minute
Shaft Radial Play	0.02 Max. (450 g-load)
Shaft Axial Play	0.08 Max. (450 g-load)



## Dimension Unit = mm(in.)



## Wiring Diagram



## Excitation Sequence

Excitation: 2-2					Excitation: 2-1-2				
STEP	A	B	C	D	STEP	A	B	C	D
1	+	+			1	+			
2		+	+		2	+	+		
3			+	+	3		+		
4	+			+	4		+	+	
					5			+	
					6			+	+
					7				+
					8	+			+

## Specifications

Model	Torque		Voltage	Current	Resistance	Inductance	Inertia	Bi/Unipolar	Weight	Length "L"	
	Ncm	oz.in	V/Phase	A/Phase	Ohm/Phase	mH/Phase	g.cm <sup>2</sup>	# of Leads	Kg	mm	in
14HM11-0404S	11	15.6	10	1.4	2.5	24	10	Bi (4)	0.12	28	1.10