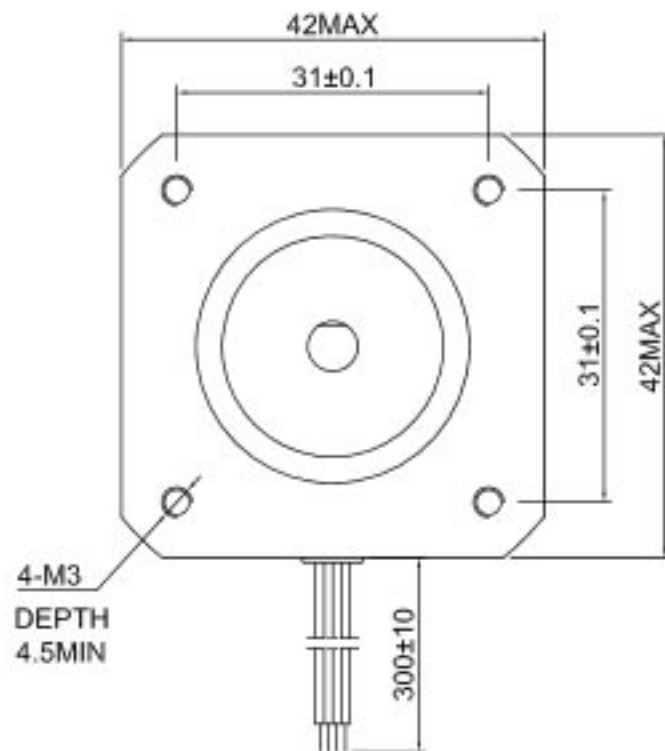
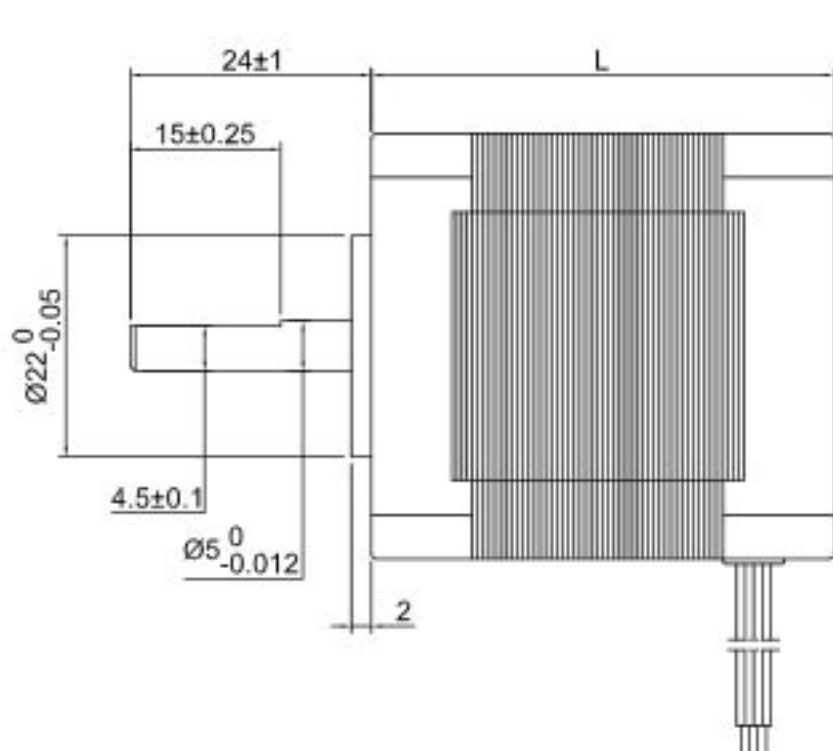


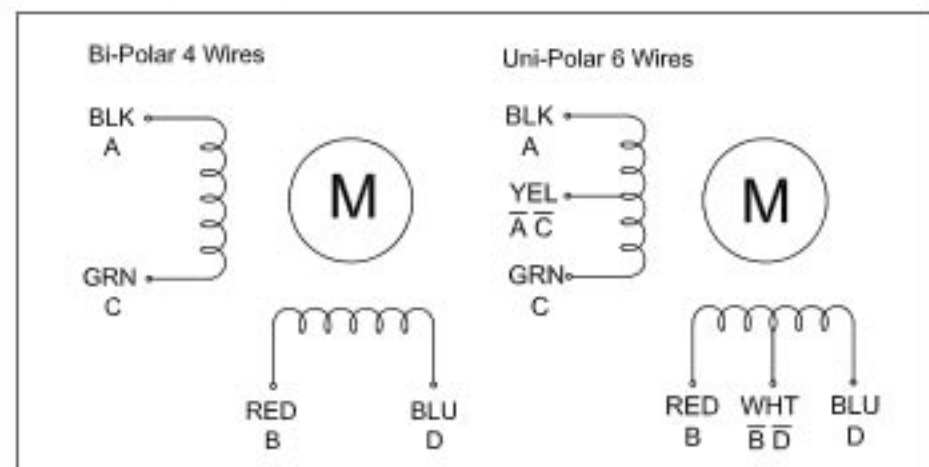
# □ 42.3mm (□ 1.67in.)

Step Angle 0.9° 17HS High-Resolution Type

■ Dimension Unit = mm(in.)



■ Wiring Diagram



■ Excitation Sequence

Excitation: 2-2

STEP	A	B	C	D
1	+	+		
2		+	+	
3			+	+
4	+			+

Excitation: 2-1-2

STEP	A	B	C	D
1	+			
2	+	+		
3		+		
4		+	+	
5			+	
6			+	+
7				+
8	+			+

■ Specifications

Model	Torque		Voltage	Current	Resistance	Inductance	Inertia	Bi/Unipolar	Weight	Length "L"	
	Ncm	oz.in	V/Phase	A/Phase	Ohm/Phase	mH/Phase	g.cm <sup>2</sup>	# of Leads	Kg	mm	in
17HM15-0904S	36	51.0	5.4	0.9	6	12	54	Bi (4)	0.28	39	1.54