

□ 28.2mm (□ 1.11in.)

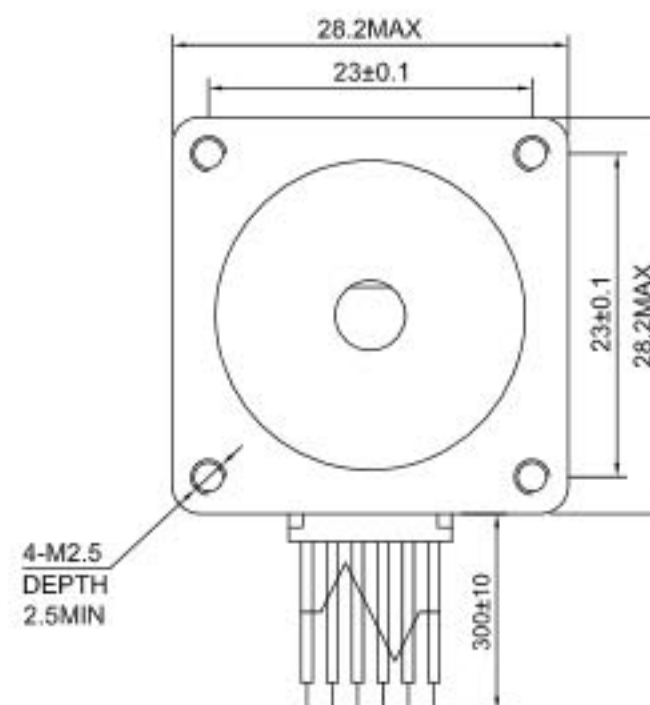
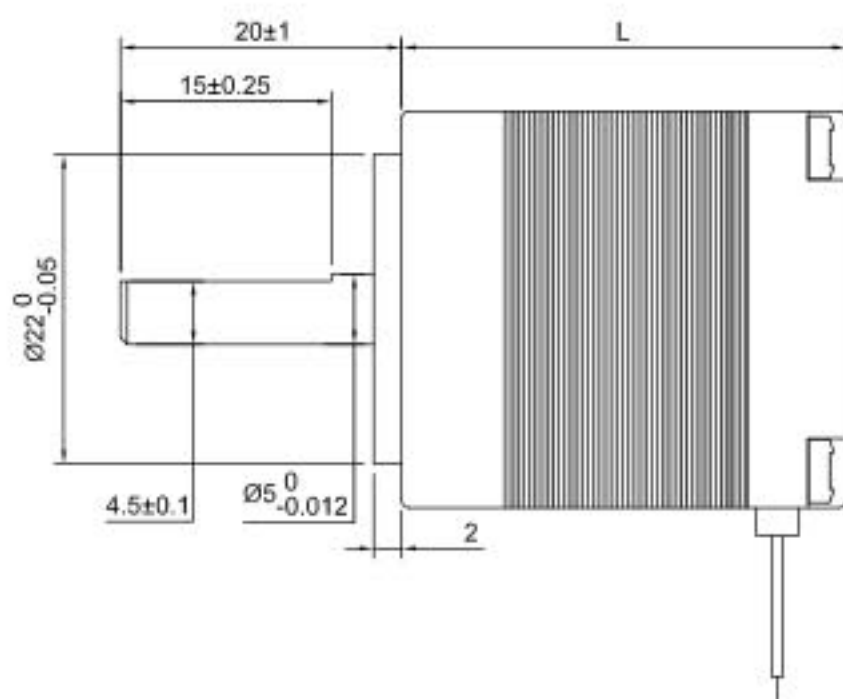
Step Angle 1.8° 11HS High-Torque Type

Common Rating

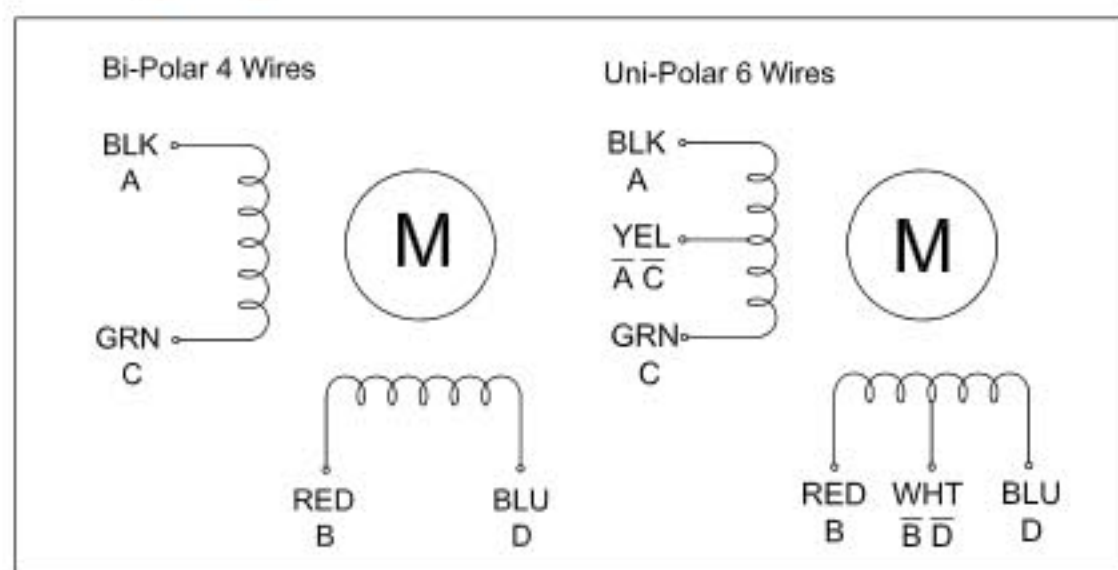
Item	Specification
Step Angle Accuracy	±5% (full step, no load)
Resistance Accuracy	±10%
Inductance Accuracy	±20%
Temperature Rise	80°C Max. (rated current, 2 phase on)
Ambient Temperature	-10°C ~ +50°C
Insulation Resistance	100MΩ Min. 500VDC
Dielectric Strength	500VAC for one minute
Shaft Radial Play	0.02 Max. (450 g-load)
Shaft Axial Play	0.08 Max. (450 g-load)



Dimension Unit = mm(in.)



Wiring Diagram



Excitation Sequence

Excitation: 2-2		Excitation: 2-1-2		
STEP	A	B	C	D
1	+	+		
2		+	+	
3			+	+
4	+			+
5		+	+	
6			+	+
7				+
8	+			+

CCW ↑ CW ↓

Specifications

Model	Torque		Voltage	Current	Resistance	Inductance	Inertia	Bi/Unipolar	Weight	Length "L"	
	Ncm	oz.in	V/Phase	A/Phase	Ohm/Phase	mH/Phase	g.cm2	# of Leads	Kg	mm	in
11HS18-0674S	9.5	13.5	4.6	0.67	6.8	4.9	12	Bi (4)	0.14	44.5	1.75