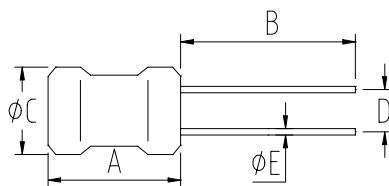


### CH6080-Series

Part Number	Inductance (uH)	Tolerance	Test Freq. of L (KHz)	Q Factor (min)	Test Freq. of Q (MHz)	SRF MHz(min)	DCR ( $\Omega$ max)	Rated Current (mA)
CH60801R0M-542301-B	1	±20%	1	20	7.96	55	0.015	4800
CH60801R2M-542302-B	1.2	±20%	1	20	7.96	45	0.016	4700
CH60801R5M-542303-B	1.5	±20%	1	20	7.96	40	0.017	4600
CH60801R8M-542304-B	1.8	±20%	1	20	7.96	39	0.018	4400
CH60802R2M-542305-B	2.2	±20%	1	20	7.96	35	0.019	4300
CH60802R7M-542306-B	2.7	±20%	1	15	7.96	30	0.020	4200
CH60803R3M-542307-B	3.3	±20%	1	15	7.96	25	0.021	4100
CH60803R9M-542308-B	3.9	±20%	1	15	7.96	20	0.022	4000
CH60804R7M-542309-B	4.7	±20%	1	15	7.96	19	0.024	3700
CH60805R6M-542310-B	5.6	±20%	1	15	7.96	18	0.026	3500
CH60806R8M-542311-B	6.8	±20%	1	15	7.96	17	0.028	3200
CH60808R2M-542312-B	8.2	±20%	1	15	7.96	15	0.030	3000
CH6080100K-542313-B	10	±10%	1	30	2.52	13	0.041	2400
CH6080120K-542314-B	12	±10%	1	30	2.52	12	0.047	2200
CH6080150K-542315-B	15	±10%	1	30	2.52	11	0.052	2100
CH6080180K-542316-B	18	±10%	1	30	2.52	9.8	0.060	1900
CH6080220K-542317-B	22	±10%	1	30	2.52	8.6	0.080	1700
CH6080270K-542318-B	27	±10%	1	30	2.52	7.4	0.094	1500
CH6080330K-542319-B	33	±10%	1	25	2.52	7.0	0.11	1400
CH6080390K-542320-B	39	±10%	1	25	2.52	6.6	0.15	1200
CH6080470K-542321-B	47	±10%	1	20	2.52	5.8	0.16	1100
CH6080560K-542322-B	56	±10%	1	20	2.52	5.1	0.22	1000
CH6080680K-542323-B	68	±10%	1	20	2.52	4.7	0.24	900
CH6080820K-542324-B	82	±10%	1	20	2.52	4.3	0.28	850
CH6080101K-542325-B	100	±10%	1	30	0.796	4.1	0.32	800
CH6080121K-542326-B	120	±10%	1	30	0.796	3.7	0.39	720
CH6080151K-542327-B	150	±10%	1	30	0.796	3.4	0.50	640
CH6080181K-542328-B	180	±10%	1	30	0.796	3.2	0.56	600
CH6080221K-542329-B	220	±10%	1	30	0.796	2.9	0.66	560
CH6080271K-542330-B	270	±10%	1	30	0.796	2.4	0.90	480
CH6080331K-542331-B	330	±10%	1	30	0.796	2.3	1.0	450
CH6080391K-542332-B	390	±10%	1	25	0.796	2.2	1.2	420
CH6080471K-542333-B	470	±10%	1	25	0.796	2.0	1.5	300
CH6080561K-542334-B	560	±10%	1	25	0.796	1.8	1.6	280
CH6080681K-542335-B	680	±10%	1	30	0.796	1.6	2.1	250
CH6080821K-542336-B	820	±10%	1	90	0.796	1.3	2.6	220
CH6080102K-542337-B	1000	±10%	1	80	0.252	1.2	3.0	180
CH6080122K-542338-B	1200	±10%	1	80	0.252	1.1	3.4	150
CH6080152K-542339-B	1500	±10%	1	90	0.252	1.0	5.5	130
CH6080182K-542340-B	1800	±10%	1	90	0.252	0.94	6.2	120
CH6080222K-542341-B	2200	±10%	1	90	0.252	0.87	7.2	110
CH6080272K-542342-B	2700	±10%	1	100	0.252	0.80	8.3	100
CH6080332K-542343-B	3300	±10%	1	85	0.252	0.63	12	90
CH6080392K-542344-B	3900	±10%	1	60	0.252	0.58	13	85
CH6080472K-542345-B	4700	±10%	1	75	0.252	0.52	15	80
CH6080562K-542346-B	5600	±10%	1	90	0.252	0.48	19	70
CH6080682K-542347-B	6800	±10%	1	100	0.252	0.45	21	65
CH6080822K-542348-B	8200	±10%	1	100	0.252	0.40	25	60
CH6080103K-542349-B	10000	±10%	1	100	0.0796	0.38	29	55
CH6080123K-542350-B	12000	±10%	1	100	0.0796	0.35	38	50
CH6080153K-542351-B	15000	±10%	1	100	0.0796	0.31	46	45
CH6080183K-542382-B	18000	±10%	1	100	0.0796	0.27	63	40
CH6080223K-542353-B	22000	±10%	1	100	0.0796	0.26	70	40
CH6080273K-542354-B	27000	±10%	1	90	0.0796	0.23	100	30
CH6080333K-542355-B	33000	±10%	1	90	0.0796	0.21	110	30
CH6080393K-542356-B	39000	±10%	1	90	0.0796	0.19	120	30
CH6080473K-542357-B	47000	±10%	1	80	0.0796	0.17	170	20
CH6080563K-542358-B	56000	±10%	1	80	0.0796	0.15	190	20
CH6080683K-542359-B	68000	±10%	1	80	0.0796	0.14	220	20
CH6080823K-542360-B	82000	±10%	1	35	0.0796	0.13	370	15
CH6080104K-542361-B	100000	±10%	1	35	0.0252	0.11	420	15



A : 11 mm Max


B : 15 ± 2 mm

C : 7.5 mm Max

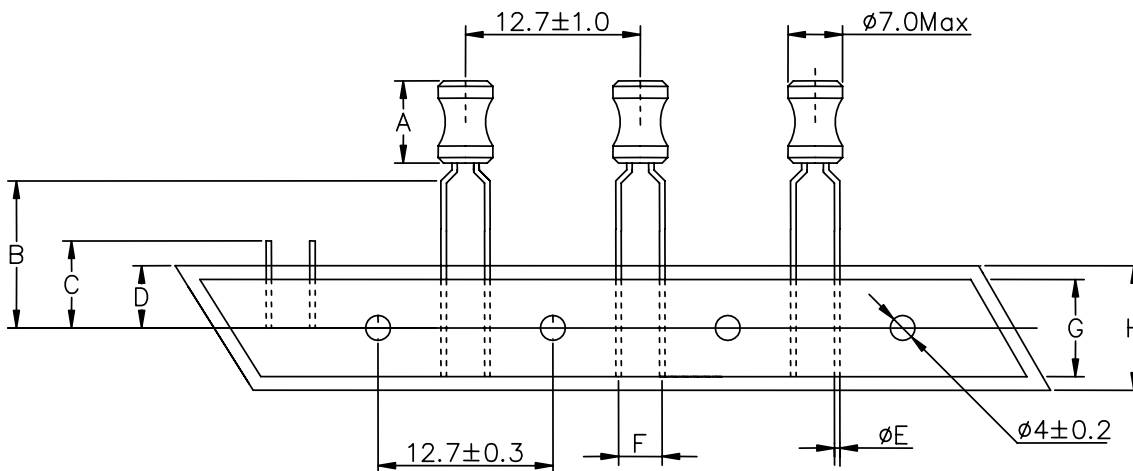
D : 3.0 ± 0.5 mm

E : 0.65 ± 0.05 mm

SPECIFICATION FOR: ( ) REF.:

<b>C.T.C. P/N:</b> CH6080 TAPE PACKING ( 603500 )	<b>DATE:</b> DD/MM/YYYY 24-01-2008	
<b>PRODUCT NAME:</b>		

**1.DIMENSION (UNIT : mm):**



A: 12.0 Max.	B: 18.0 ± 0.5	C: 11.0 Max.	D: 9.0 ± 0.5	E: 0.65 ± 0.05
F: 5.0 + 0.8/ -0.5	G: 12.5 Min.	H: 18.0 + 1.0/ -0.5	I:	J:

**2.ELECTRIC CHARACTERISTICS: (TEST AT : 24°C ± 4°C)**

INDUCTANCE: -----	TEST FREQ: -----	DCR: ----- Ω Max.
TURNS: -----	IDC: ----- A	RDC: ----- A
Q: ----- Min @ ----- MHz	SRF: ----- MHz Min.	TEMP: -20°C ~ +80°C

**3.TEST EQUIPMENT:**

- HP-4284A (LCZ-METER)
- HP-8712C (ANALYZER)
- CH-100 (LCR-METER)
- HK502BC (DCR-METER)
- CH-1062 (LCZ-METER)
- SK-3005 (INSULATION TESTER)
- CH-852A (HIGH POT TEST METER)
- 
- CH-1320(CURRENT METER)
- MQ-1601 (Q-METER)
- HL-2801 (ANALYZER)
- 

**4. MATERIALS:**

CORE: -----	PIN: -----
WIRE: -----	-----
SLEEVE: ----- mm x ----- mm	(MARK'G: ----- COLOR: -----) -----m/kpcs
VARNISH: -----	BOBBIN & BASE: -----
COATING: -----	N.W: ----- kg/kpcs PACKING: 1500PCS/BOX

**5.NOTE:**

<b>DRAWN: Ke Youfang</b>	<b>CHECKED: Yu Xinze</b>	<b>APPROVED: Tao Guowen</b>
--------------------------	--------------------------	-----------------------------