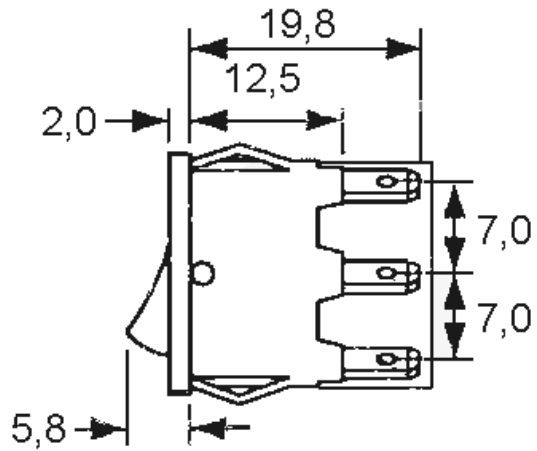
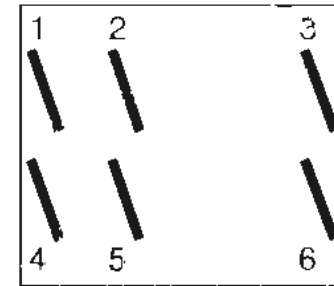


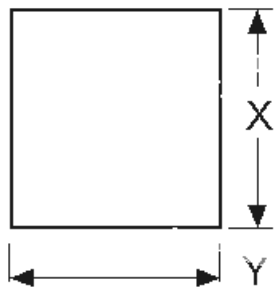
# H8650 et H8653R (07071 - 07072)



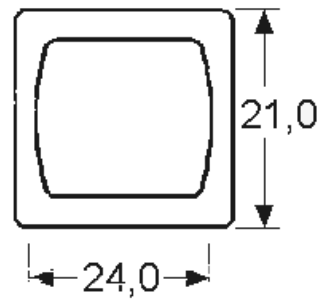
Terminal Pin Assignment  
Double Pole



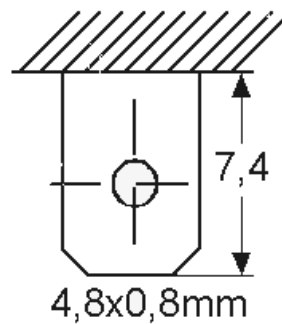
Panel cut-out



Bezel

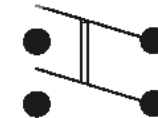


Terminal



Schema

H8650\_



H8653\_

