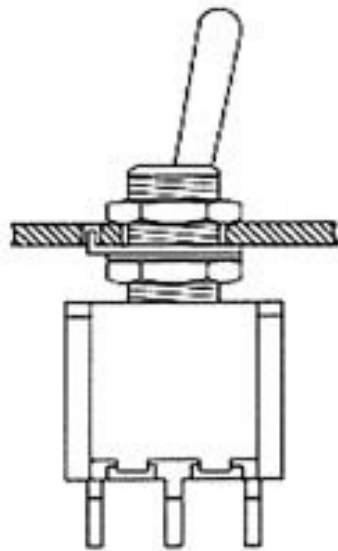
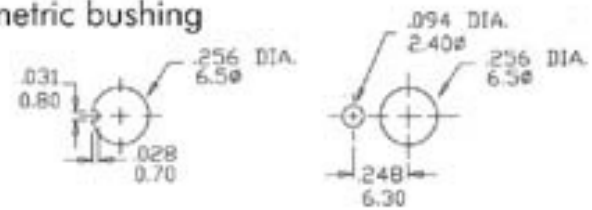


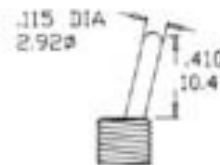
8401 (07017)



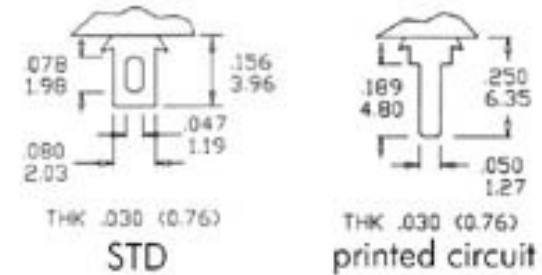
metric bushing



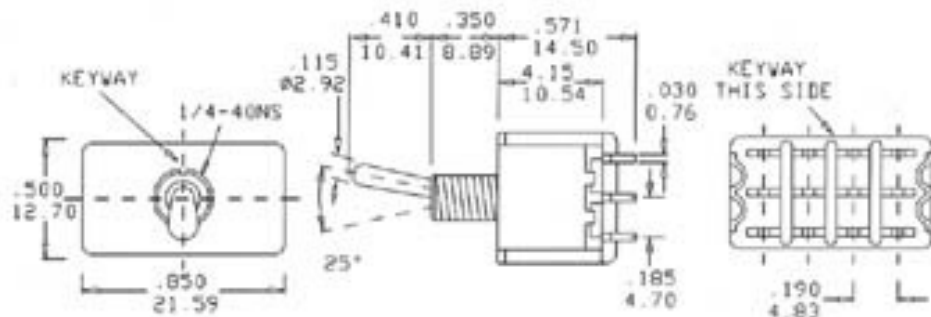
actuator



termination options



dimensions in mm



Schematic
 O2 Conn. O5 Conn. OBCConn. O11Conn.
 1/3 • 4/8 • 7/9 • 10/12 •