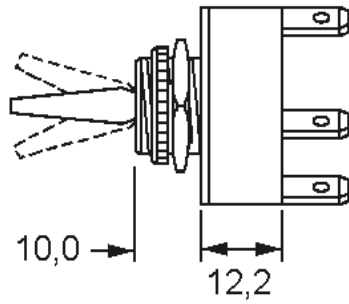
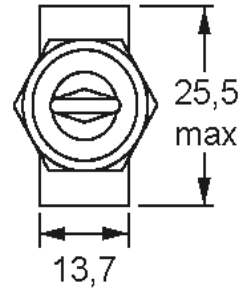


# C170H (07370)

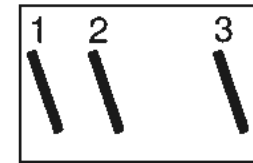
Side View



Top View



Terminal Pin Assignment



Schema  
C1700



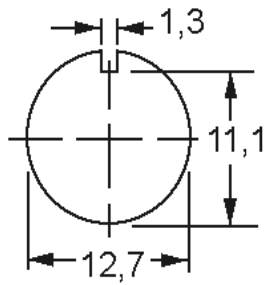
C1710



C1720



Panel cut-out



Terminal

