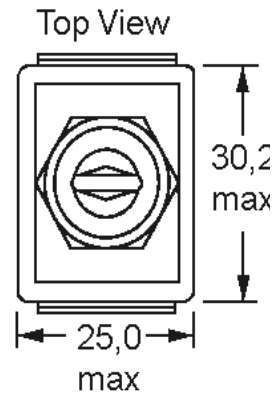
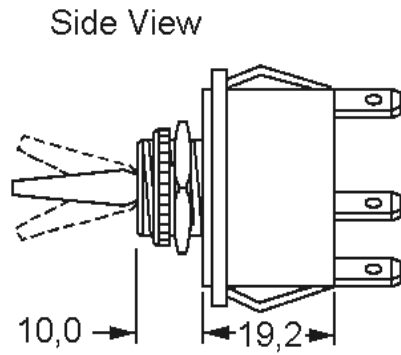
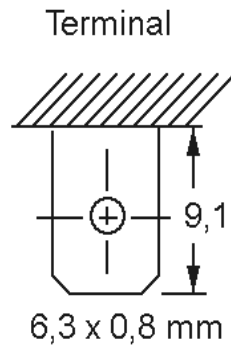
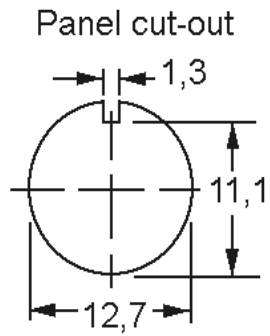
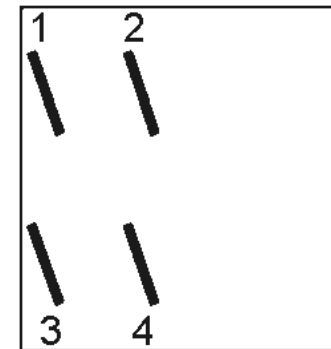


C175H (07373)



Terminal Pin Assignment



Schema
C1750

