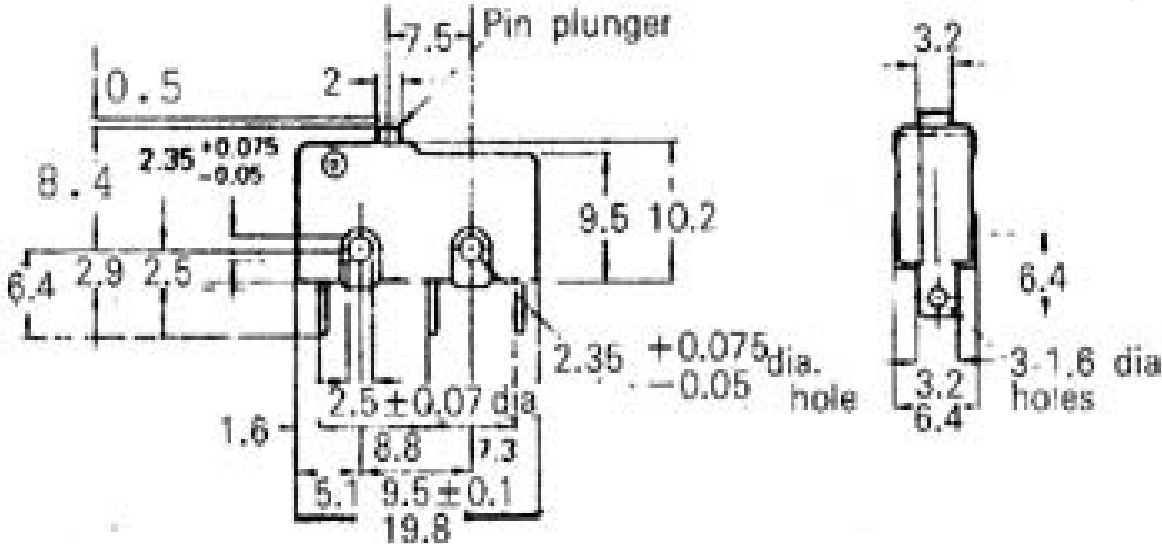
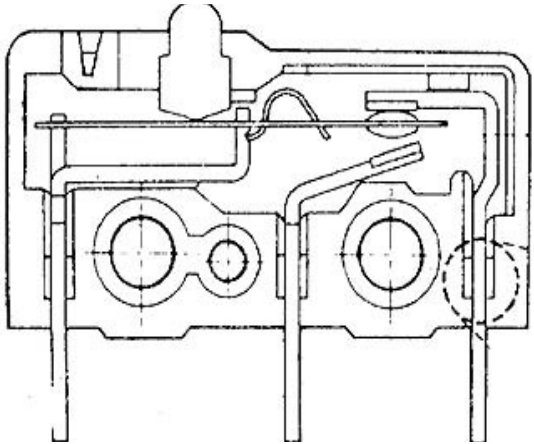
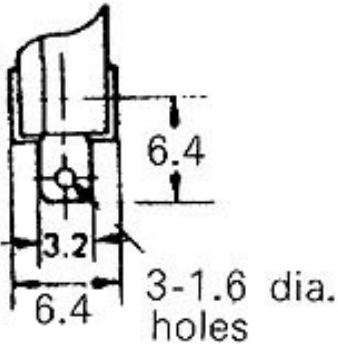


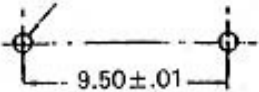
SPS75C (07193)



solder terminal



mounting holes



contact configuration



dimensions in mm