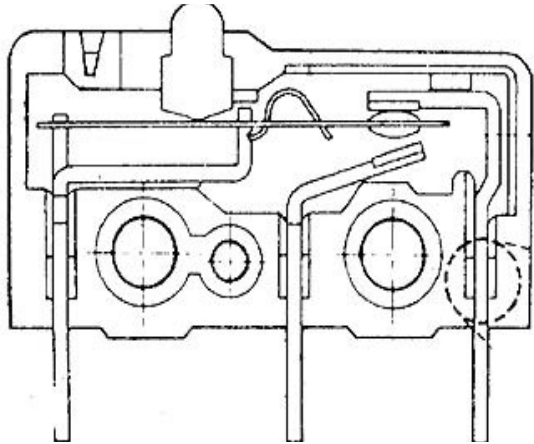
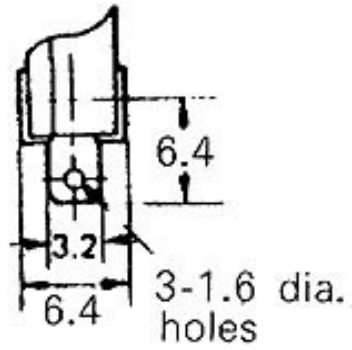


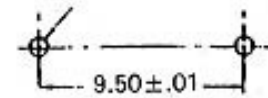
SPS75GC (07194)



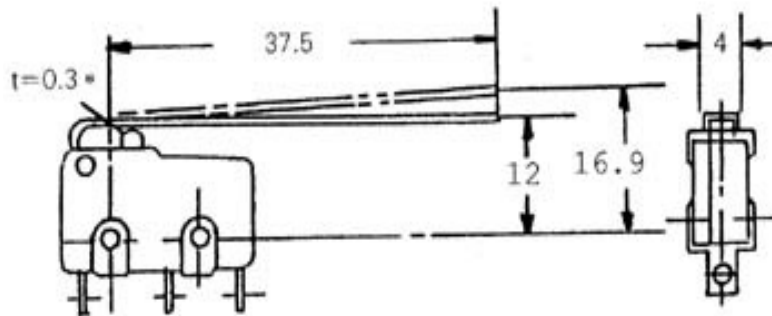
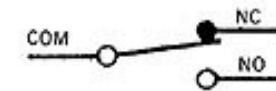
solder terminal



mounting holes



contact configuration



dimensions in mm