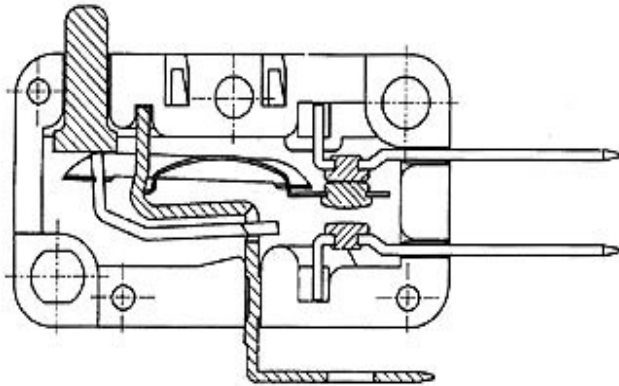
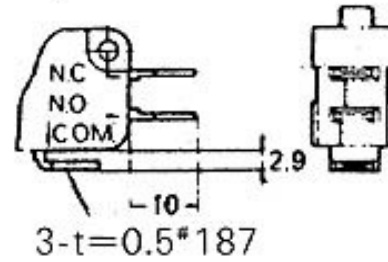


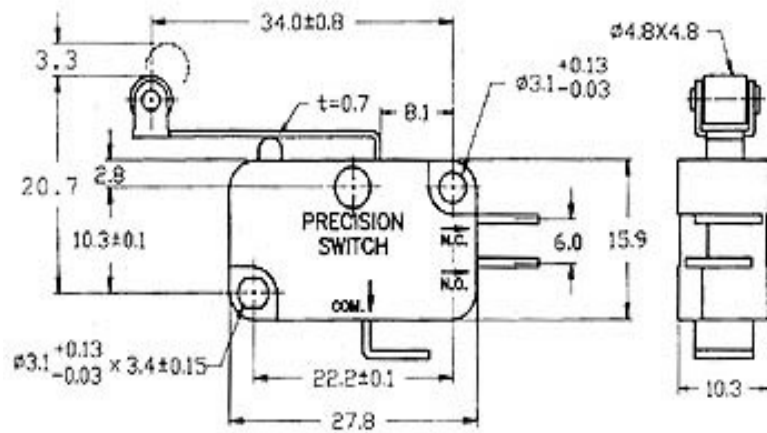
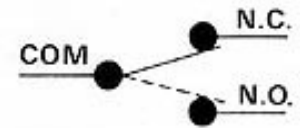
MS12R (07198)



quick connect terminals



contact configuration



2-3.1 dia mounting holes or M3 screw holes



dimensions in mm