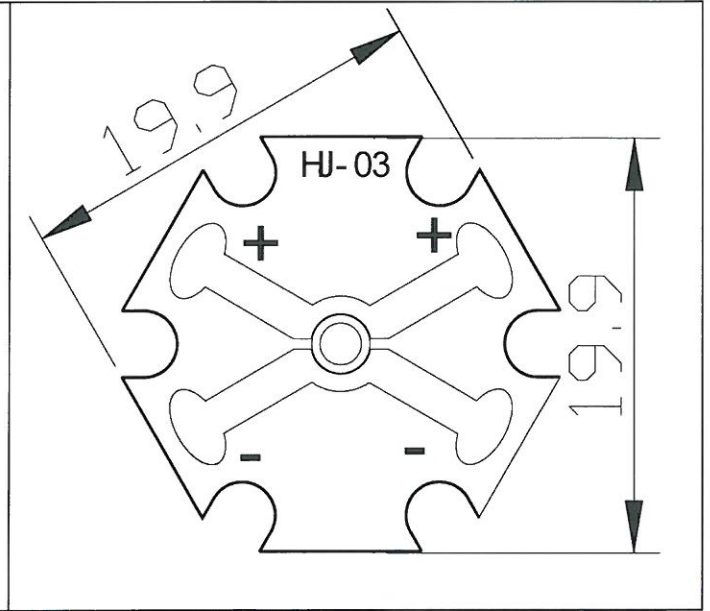
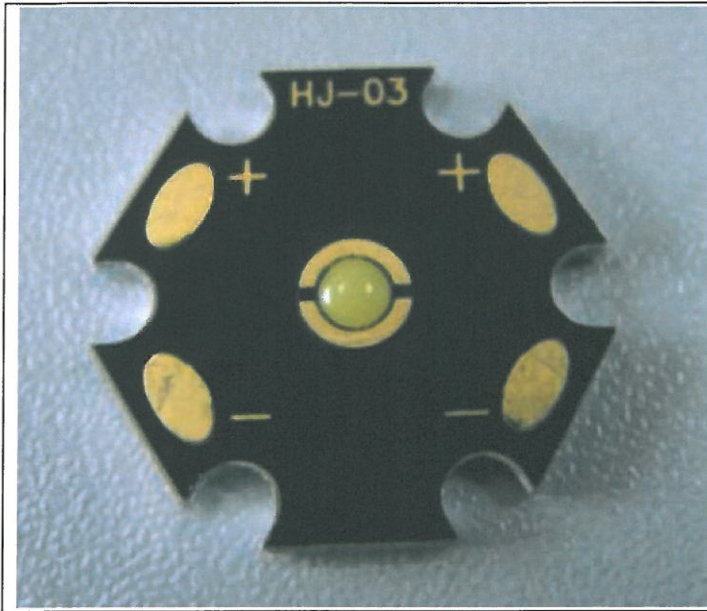


Lighting color □ Red



Absolute Maximum Ratings

(Ta=25□)

Series	Symbol	TestingCondition	Characteristics			Unit
			Min	Typ	Max	
Power Dissipation	Pd	IF = 300mA	—	1	—	W
Reverse Voltage	VR	IR = 50μA	—	5	—	V
Peak Forward Current	Ipeak	Duty=0.1□1kHz	—	1000	—	mA
OperatingTemperature Range	Topr	—	-25	25	+60	□
Storage Temperature Range	Tstr	—	-40	25	+100	□
Lead Soldering Temperature	Tsol	—	—	260	—	□

Electro-Optical Characteristics

□ Ta = 25 □ □

Series	Symbol	TestingCondition	Characteristics			Unit
			Min	Typ	Max	
Forward Voltage	VF	IF = 300mA		2.5		V
Reverse Current	IR	VR = 5V	—	—	50	μA
Peak Emission Wavelength	λp	IF = 300mA		625		nm
Luminous Flux	Φ	IF = 300mA		12	—	lm

Remarks □ 1. Luminous Intensity is measured by JF-□tester of HongJin

2. All of the products are sensitive to static voltage. It is recommended that antistatic facilities like wrist band or antistatic gloves are used when handling the products.

3. Need to add to spread a hot machine while installing power LED