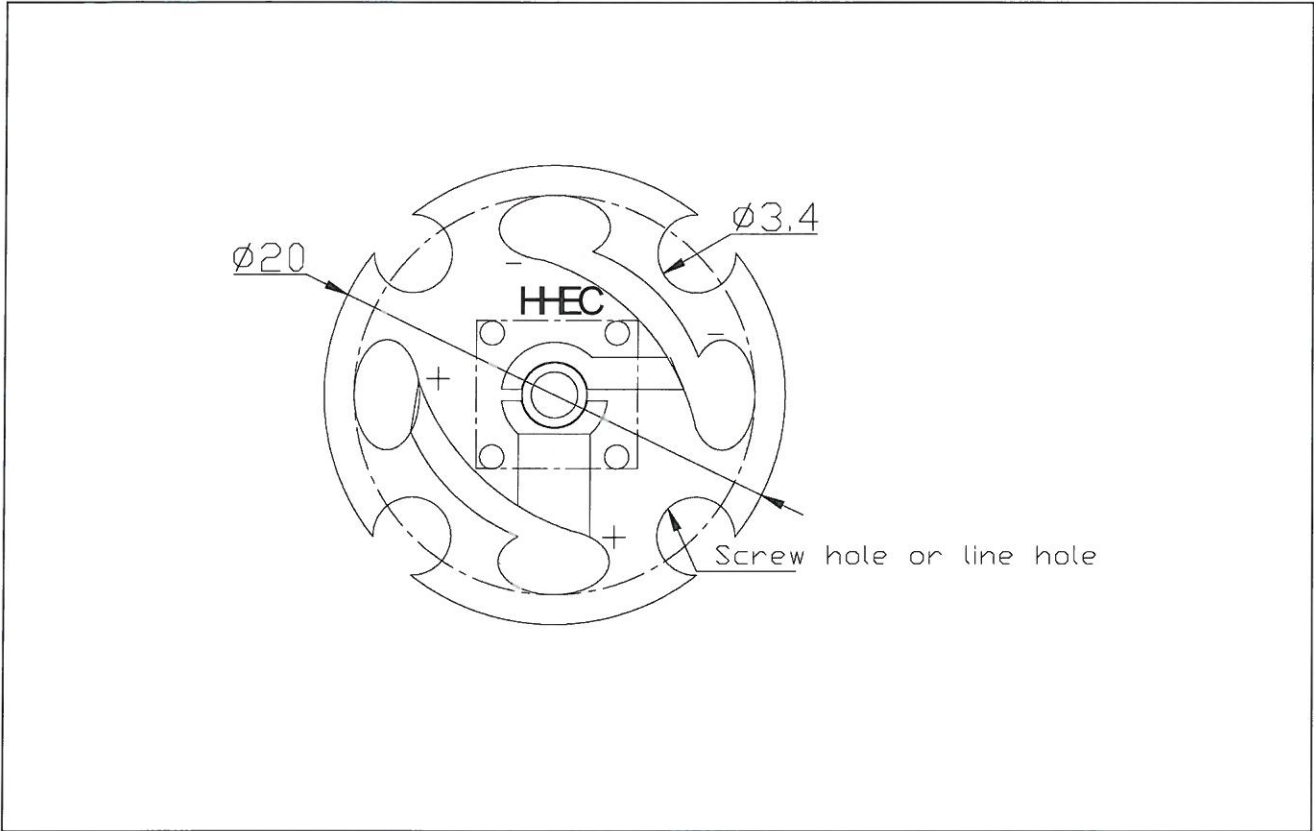


Lighting color □ Warm White



□ Absolute Maximum Rating □ Ta=25□□

Series	Symbol	Testing Condition	Characteristics			Unit
			Min.	Typ	Max	
Power Dissipation	Pd	—	—	1	—	W
Reverse Voltage	VR	IR = 50μA	—	5	—	V
Peak Forward Current	Ipeak	Duty=0.1 □ 1kHz	—	800	—	mA
Operating Temperature Range	Topr	—	-25	25	60	□
Storage Temperature Range	Tstr	—	-40	25	100	□
Lead Soldering Temperature	Tsol	260□for 5sec. □ 3.0mm from resin□				
Anti-static Voltage	1000					V

Electrical and optical characteristics Ta = 25

Series	Symbol	Test Condition	Characteristics			Unit
			Min.	Typ.	Max.	
Forward Voltage	V _F	I _F =20mA	3.2	3.4	3.5	V
Reverse Current	I _R	V _R =5V	—	—	30	μA
Color Temperature	T _c	I _F =20mA	2700-3500			K
Luminous Flux	I _v	I _F =20mA	—	100	120	lm
Viewing Angle	2θ _{1/2}	I _F =20mA	—	120	—	deg.

Soldering Condition

Careful attention should be paid during soldering. When soldering, leave more than 2mm from solder joint to case, and soldering beyond the base of the tie bar is recommended.

Avoiding applying any stress to the lead frame while the LEDs are at high temperature particularly when soldering.

Recommended soldering conditions

Hand Soldering		DIP Soldering	
Temp.at tip of iron	300□Max.(30WMax.)	Preheat temp.	100□Max. (60 sec Max.)
Soldering time	3 sec Max.	Bath temp.	260□Max
Distance	2mm Min.(From solder joint to case)	Bath time.	3 sec Max.
		Distance	2mm Min

Notes

This datasheet will be update regularly, if there comes out any changes, pls confirmed by the latest datasheet.