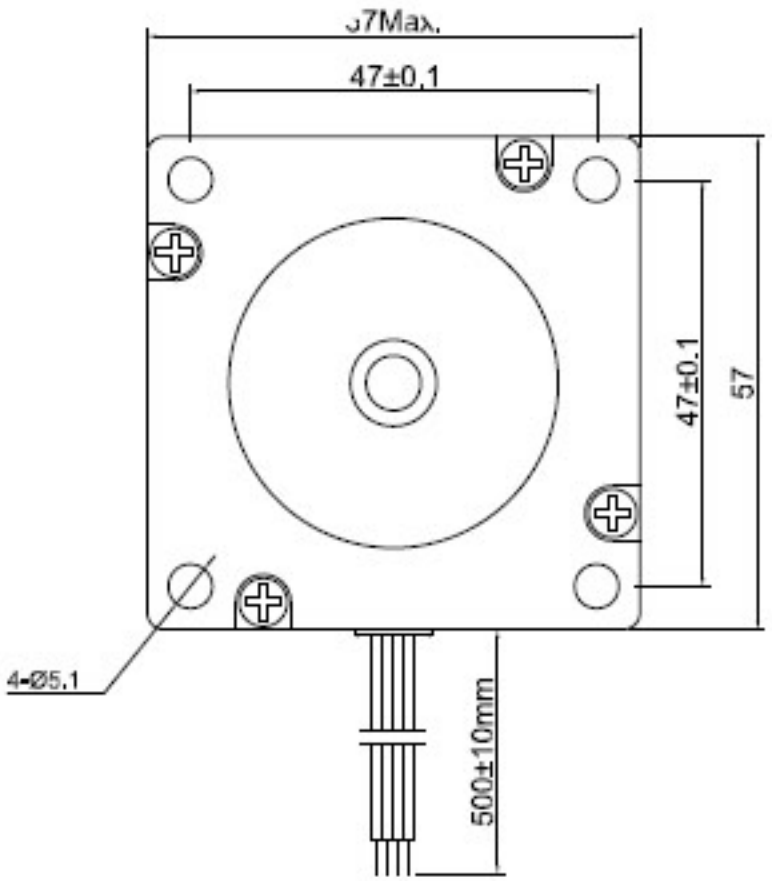
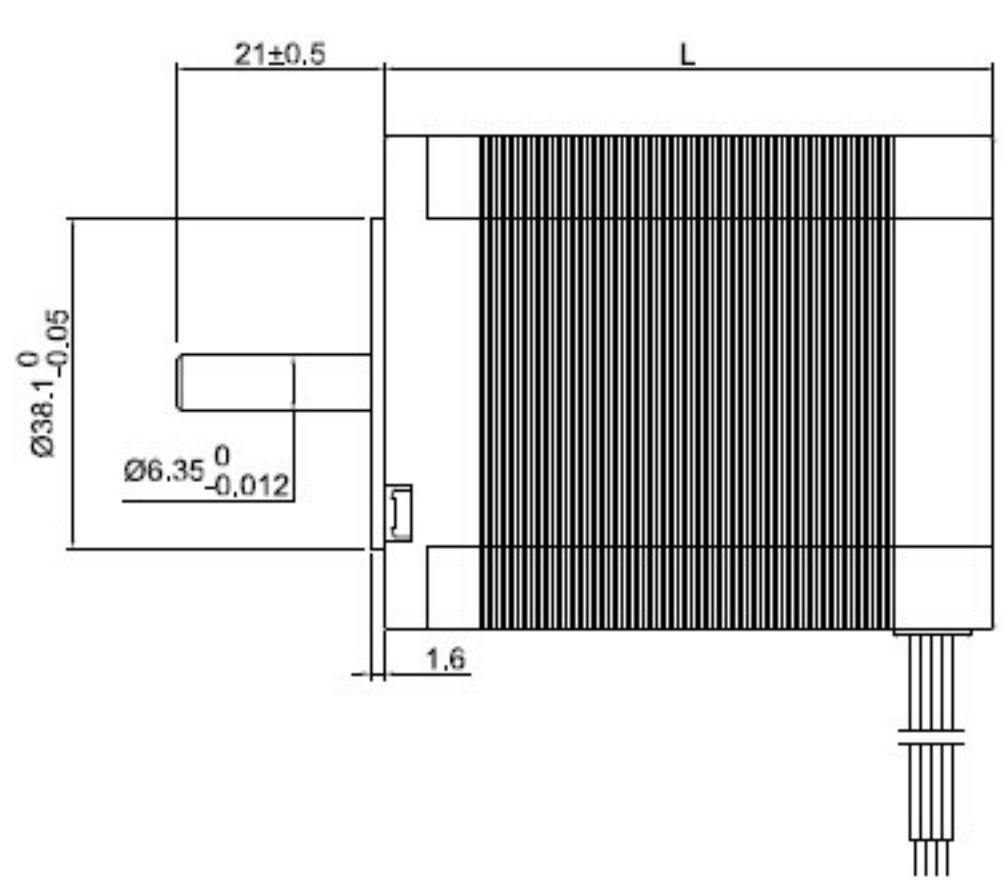


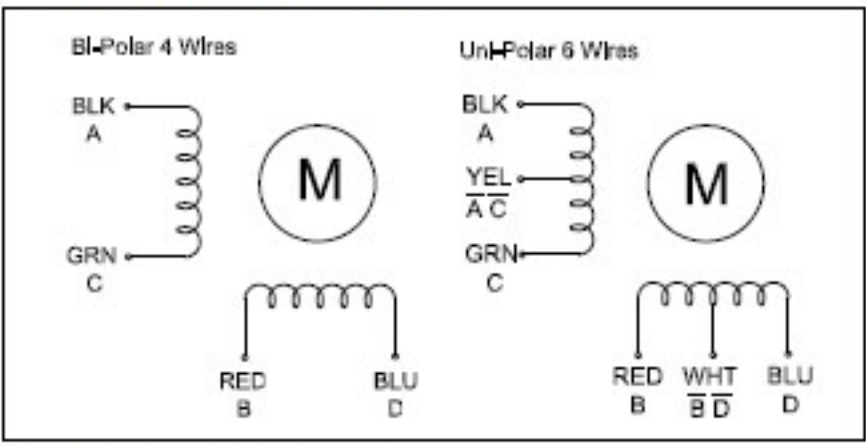
56.8mm (2.24in.)

Step Angle 1.8° 23HS High-Torque Type

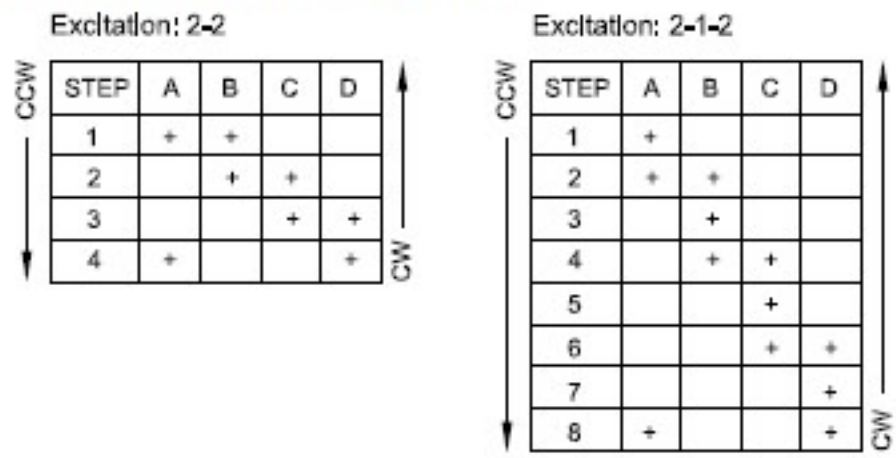
Dimension Unit = mm(in.)



Wiring Diagram



Excitation Sequence



Specifications

Model	Torque		Voltage	Current	Resistance	Inductance	Inertia	Bi/Unipolar	Weight	Length "L"	
	Ncm	oz.in	V/Phase	A/Phase	Ohm/Phase	mH/Phase	g.cm2	# of Leads	Kg	mm	in
23HS30-2804S	189	267.6	3.2	2.8	1.13	3.6	480	Bi (4)	1	76	30