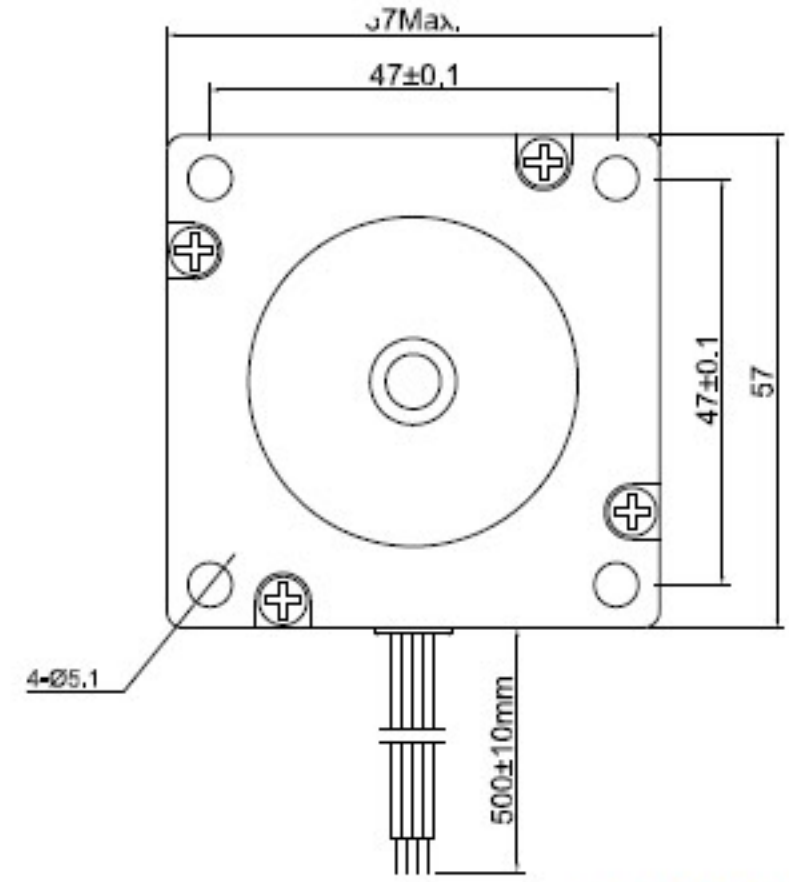
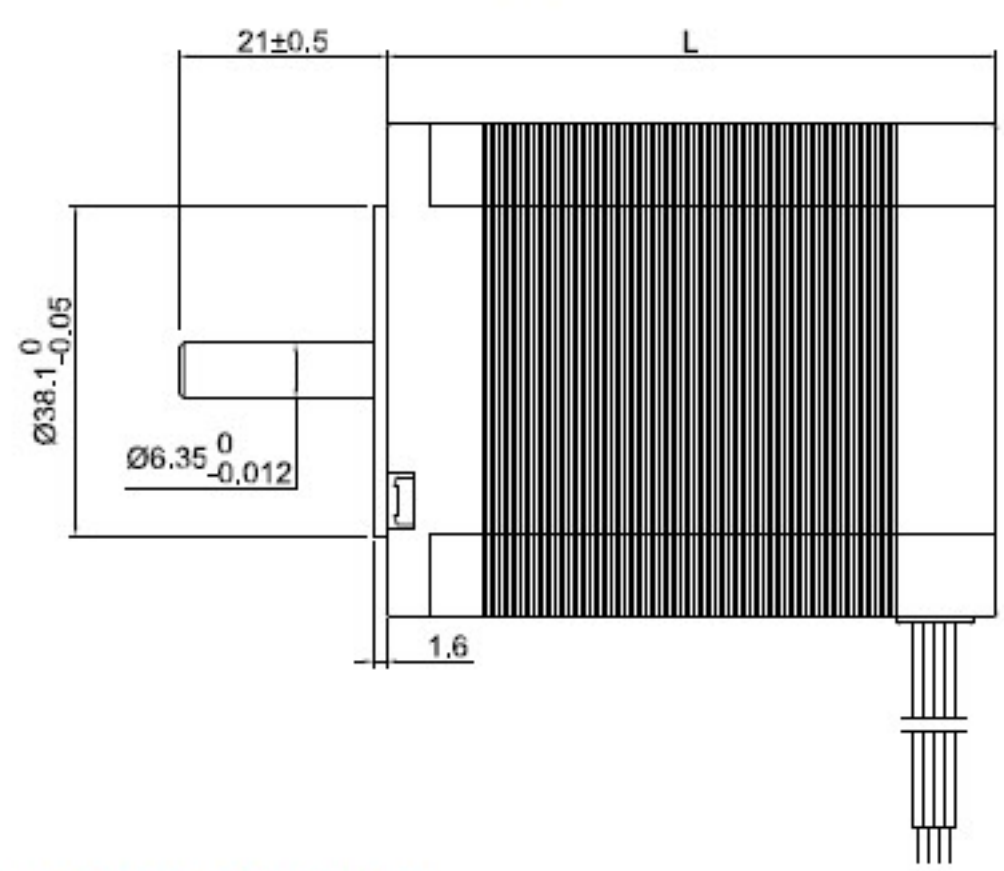


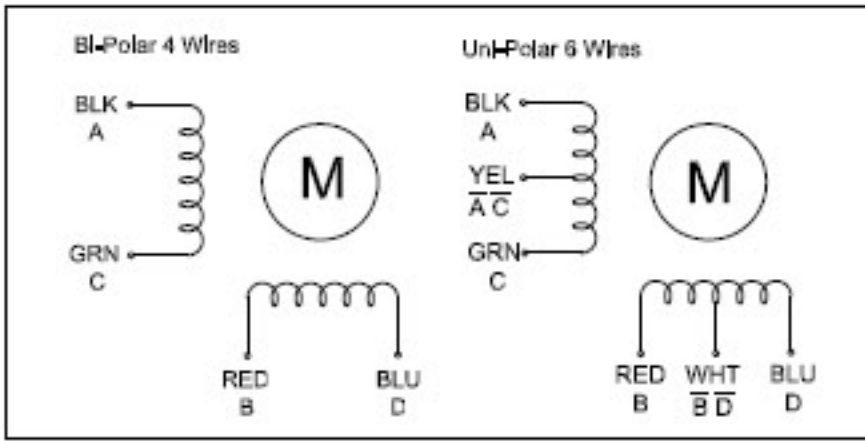
□ 56.8mm (□ 2.24in.)

Step Angle 1.8° 23HS High-Torque Type

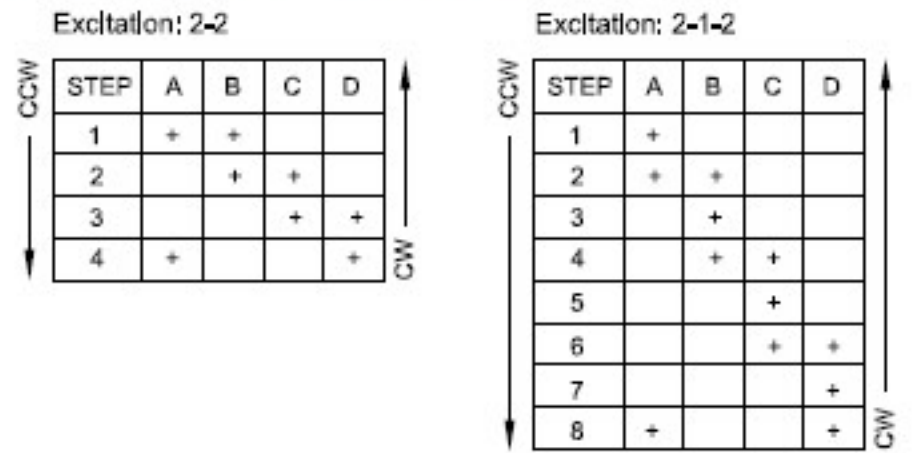
■ Dimension Unit = mm(in.)



■ Wiring Diagram



■ Excitation Sequence



■ Specifications

Model	Torque		Voltage	Current	Resistance	Inductance	Inertia	Bi/Unipolar	Weight	Length "L"	
	Ncm	oz.in	V/Phase	A/Phase	Ohm/Phase	mH/Phase	g.cm2	# of Leads	Kg	mm	in
23HS22-3006S	90	127.5	2.3	3	0.75	1.1	300	Uni (6)	0.7	56	2.2