

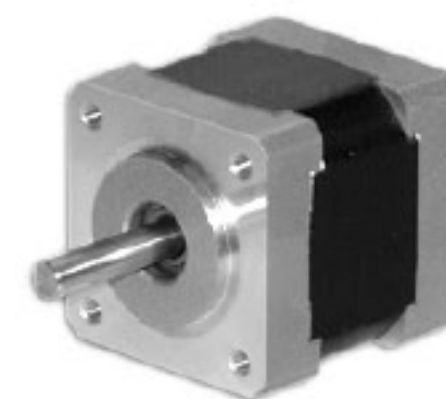
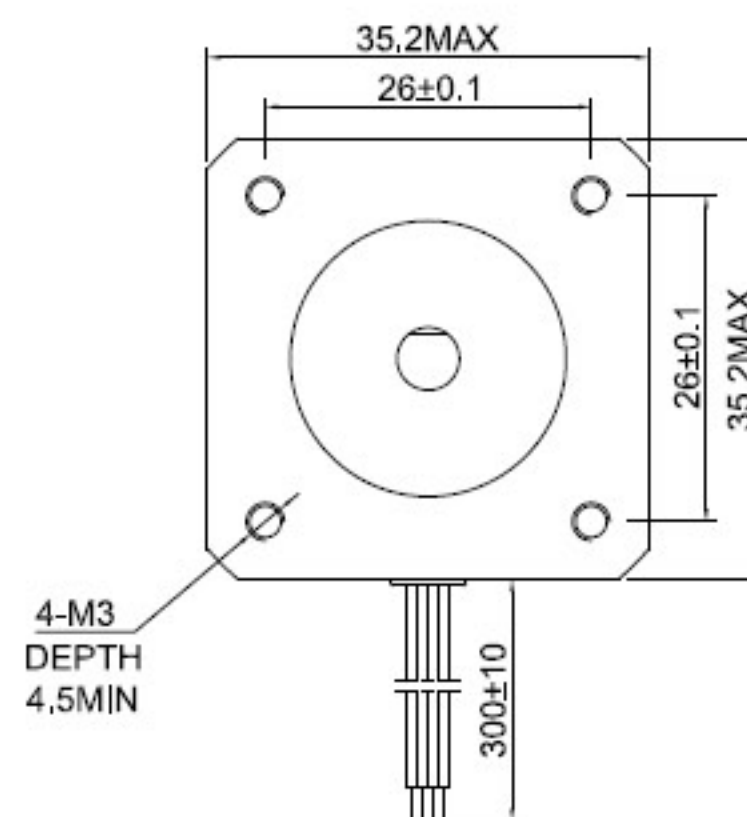
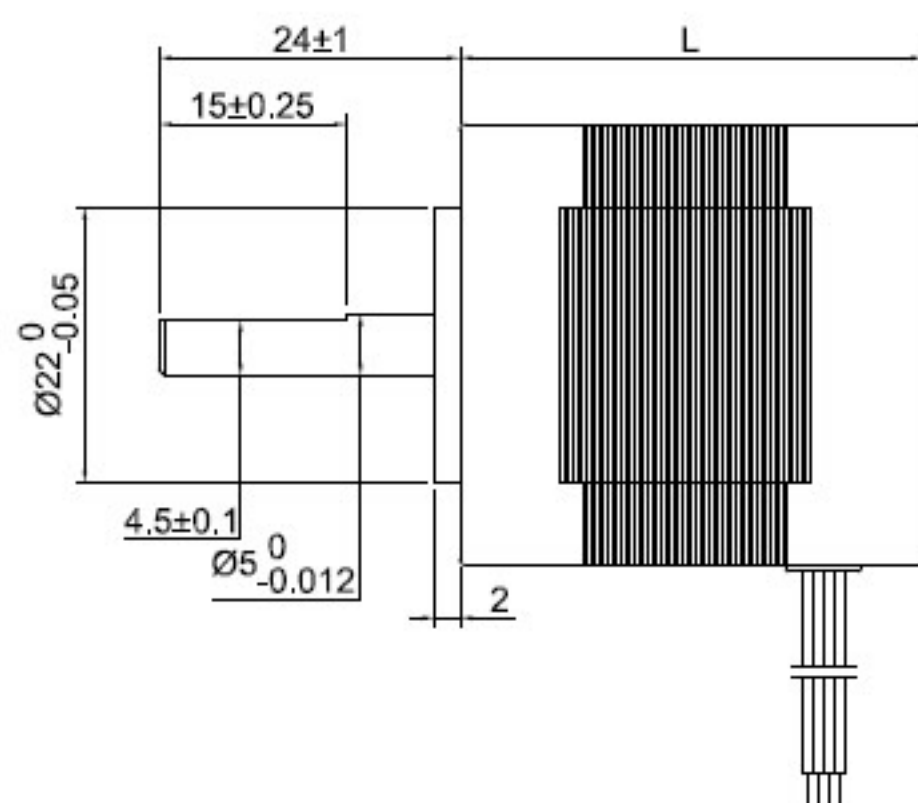
□ 35.2mm(□ 1.38in.)

Step Angle 1.8° 14HS High-Torque Type

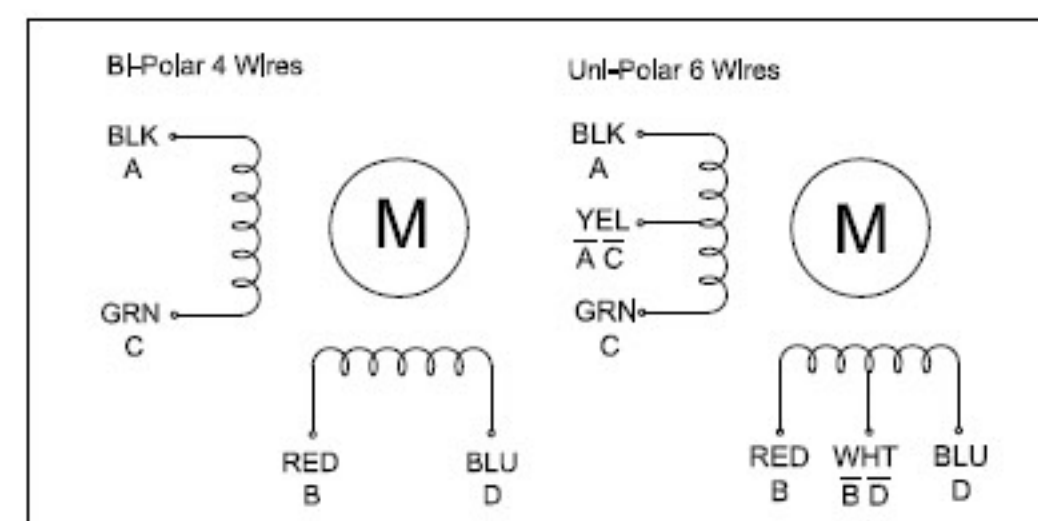
Common Rating

Item	Specification
Step Angle Accuracy	±5% (full step, no load)
Temperature Rise	80°C Max. (rated current, 2 phase on)
Ambient Temperature	-10°C - +50°C
Insulation Resistance	100MΩ Min. 500VDC
Dielectric Strength	500VAC for one minute

Dimension Unit = mm(in.)



Wiring Diagram



Excitation Sequence

Excitation: 2-2

STEP	A	B	C	D
1	+	+		
2		+	+	
3			+	+
4	+			+

Excitation: 2-1-2

STEP	A	B	C	D
1	+			
2	+	+		
3		+		
4		+	+	
5			+	
6			+	+
7				+
8	+			+

Specifications

Model	Torque		Voltage	Current	Resistance	Inductance	Inertia	Bi/Unipolar	Weight	Length "L"	
	Ncm	oz.in	V/Phase	A/Phase	Ohm/Phase	mH/Phase	g.cm ²	# of Leads	Kg	mm	in
14HS13-0406S	10	14.2	10	0.4	25	17	14	Uni (6)	0.17	34	1.34