

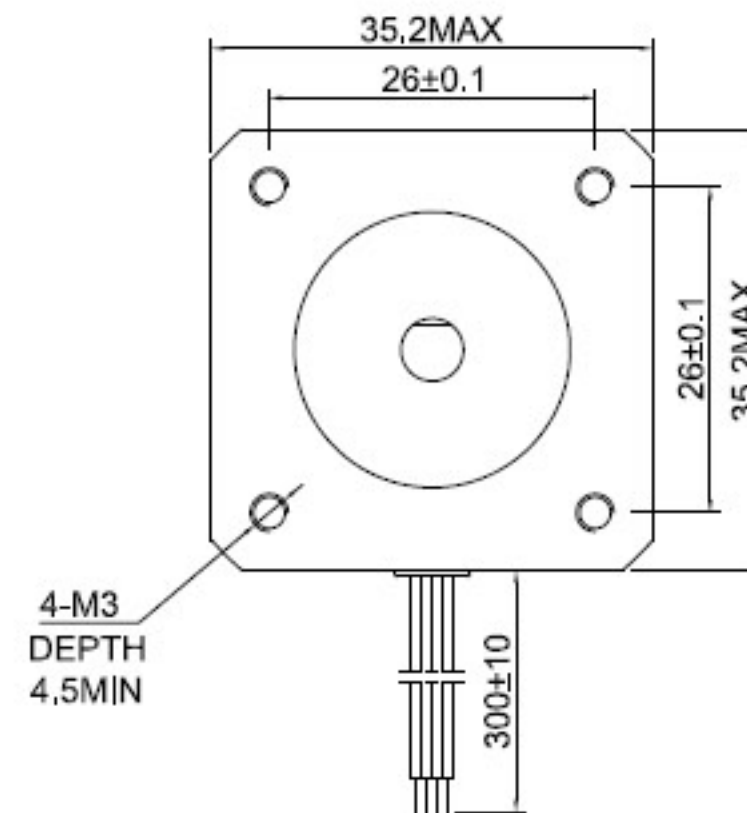
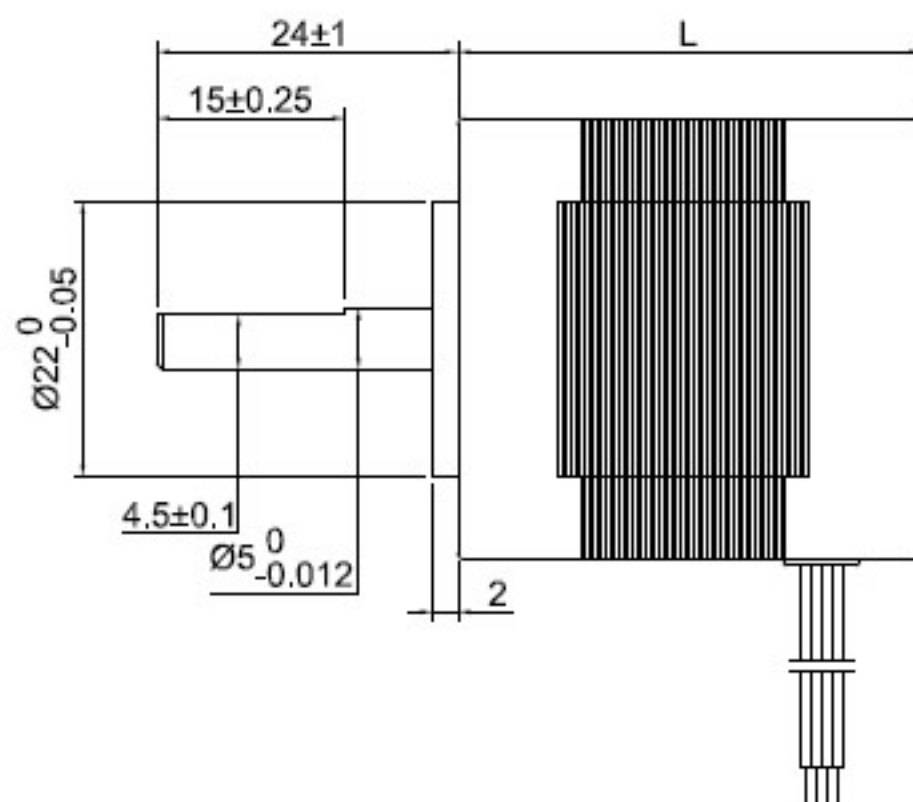
□ 35.2mm(□ 1.38in.)

Step Angle 1.8° 14HS High-Torque Type

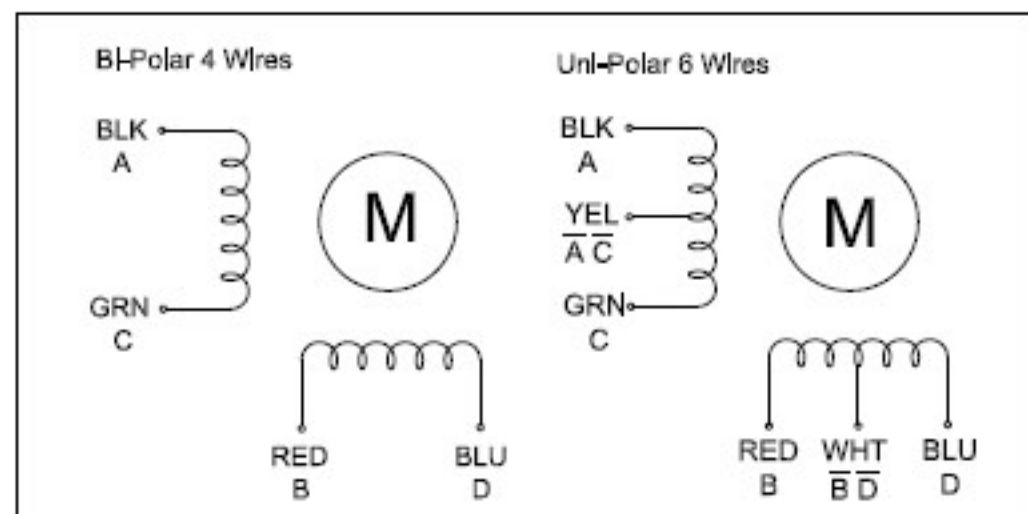
Common Rating

| Item | Specification |
|-----------------------|---------------------------------------|
| Step Angle Accuracy | ±5% (full step, no load) |
| Temperature Rise | 80°C Max. (rated current, 2 phase on) |
| Ambient Temperature | -10°C - +50°C |
| Insulation Resistance | 100MΩ Min. 500VDC |
| Dielectric Strength | 500VAC for one minute |

Dimension Unit = mm(in.)



Wiring Diagram



Excitation Sequence

| Excitation: 2-2 | | | | | Excitation: 2-1-2 | | | | |
|-----------------|---|---|---|---|-------------------|---|---|---|---|
| STEP | A | B | C | D | STEP | A | B | C | D |
| 1 | + | + | | | 1 | + | | | |
| 2 | | + | + | | 2 | + | + | | |
| 3 | | | + | + | 3 | | + | | |
| 4 | + | | | + | 4 | | + | + | |
| | | | | | 5 | | | + | |
| | | | | | 6 | | | + | + |
| | | | | | 7 | | | | + |
| | | | | | 8 | + | | | + |

Specifications

| Model | Torque | | Voltage | Current | Resistance | Inductance | Inertia | Bi/Unipolar | Weight | Length "L" | |
|--------------|--------|-------|---------|---------|------------|------------|-------------------|-------------|--------|------------|------|
| | Ncm | oz.in | V/Phase | A/Phase | Ohm/Phase | mH/Phase | g.cm ² | # of Leads | Kg | mm | in |
| 14HS11-1004S | 12.5 | 17.7 | 3.5 | 1 | 3.5 | 3.5 | 11 | Bi (4) | 0.12 | 28 | 1.10 |