

86mm(3.39in.)

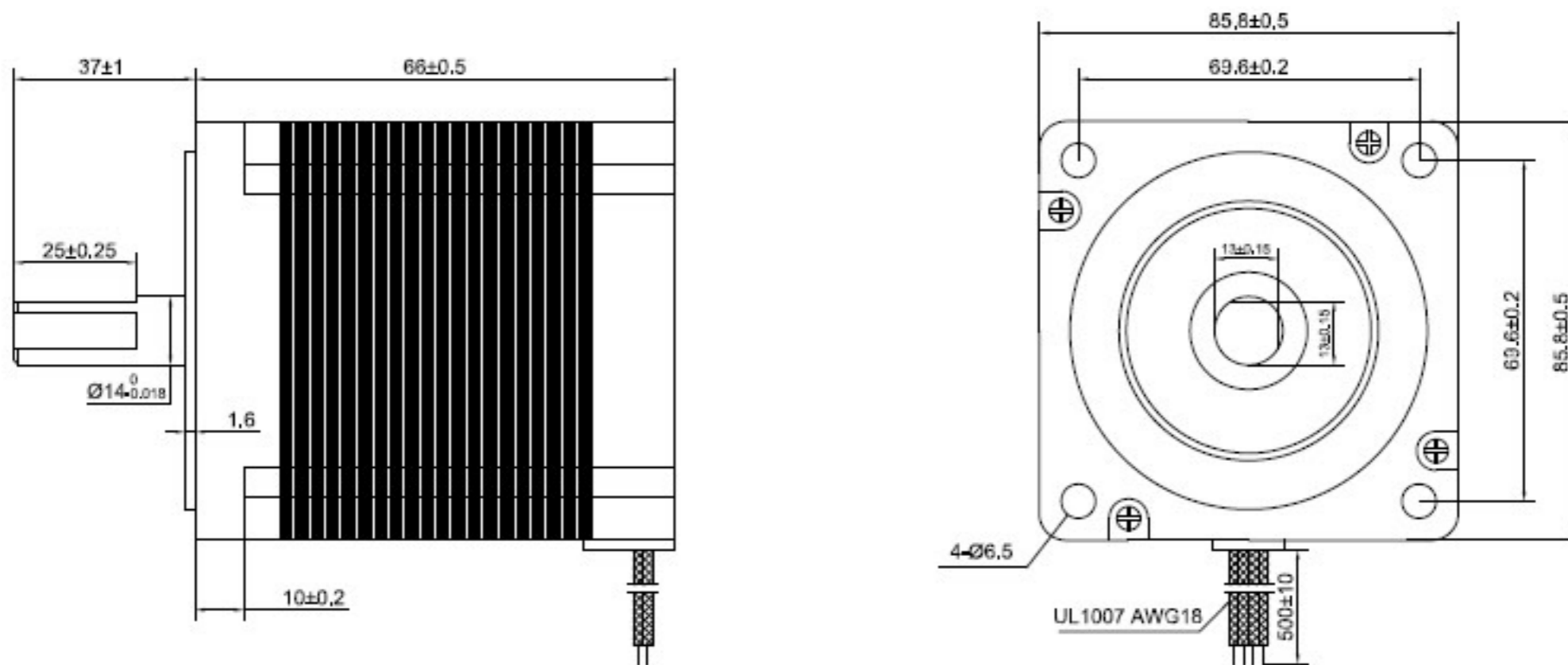
Step Angle 1.8° 34HS High-Torque Type

Common Rating

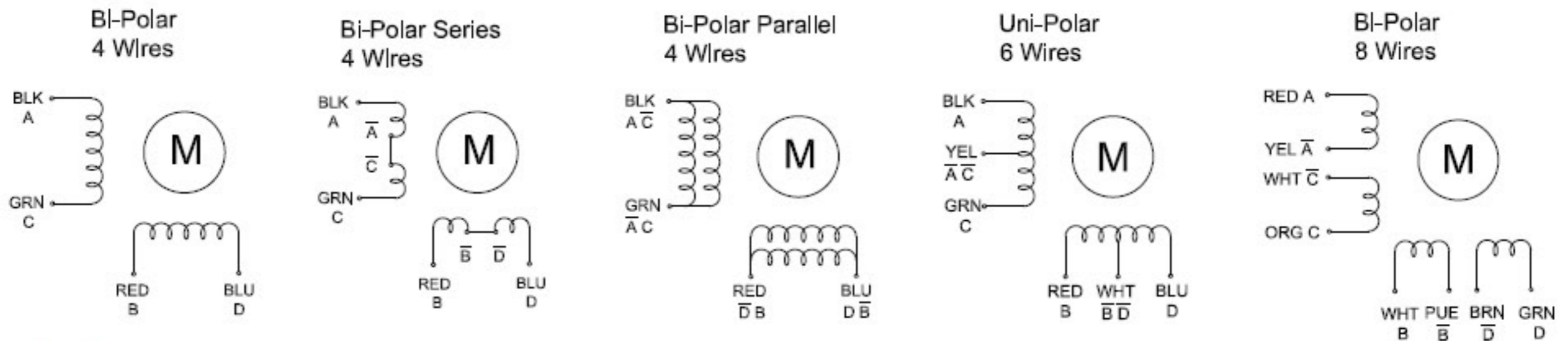
Item	Specification
Step Angle Accuracy	±5% (full step, no load)
Temperature Rise	80°C Max. (rated current, 2 phase on)
Ambient Temperature	-10°C - +50°C
Insulation Resistance	100MΩ Min. 500VDC
Dielectric Strength	500VAC for one minute



Dimension Unit = mm(in.)



Wiring Diagram



Specifications

Model	Torque		Voltage	Current	Resistance	Inductance	Inertia	# of Leads	Weight	Length "L"	
	N.m	lb.ft	V/Phase	A/Phase	Ohm/Phase	mH/Phase	kg.cm2		Kg	mm	in
34HS31-5504S	4.5	3.3	2.2	5.5	0.4	3.5	1.4	4	2.3	80	3.15