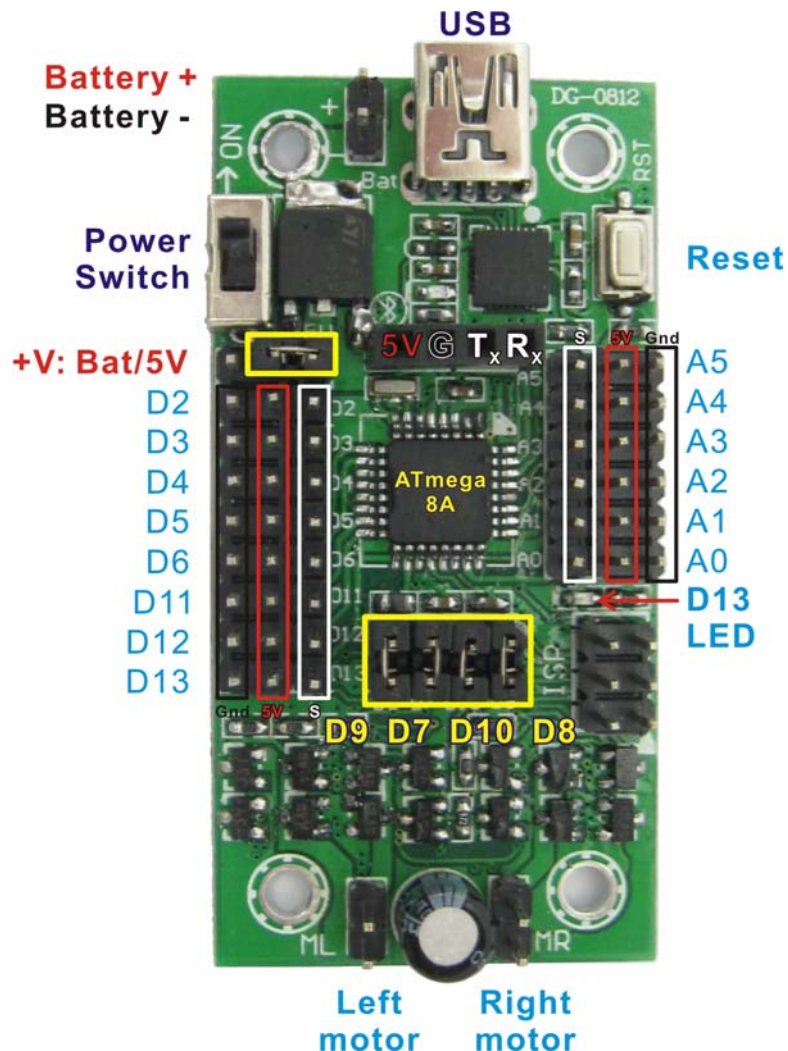


# Mini Driver

## robot controller



The Mini Driver from DAGU is a low cost robot controller designed for students and hobbyist with all the basic functions needed to get your robot project started quickly.

This controller is compatible with the Arduino IDE and uses the ATmega8A processor running on 5V @ 16MHz. It can be programmed via the USB interface and bootloader software or directly with the ISP socket.

The controller requires an input voltage of 5V-10V making it easy to power from small battery packs. Reverse polarity protection prevents damage if the battery is accidentally connected the wrong way.

Unlike standard Arduino boards, the Mini Driver has two FET "H" bridges that can drive 2x DC motors with stall currents up to 2.5A. When the "H" bridges are not in use they can be disconnected by removing the jumpers on D7, D8, D9 & D10. This then provides access to these digital pins.

8x 3 pin servo headers are provided that allow you to power the servos directly from the battery. This is ideal for quad bots using miniature servos.

The analog inputs include +5V and GND terminals on a 3 pin header allowing sensors to be easily powered from the board. As the SMD processor has an extra 2 analog inputs, A7 has been dedicated to measuring the battery voltage. A6 can be accessed via a solder pad on the rear of the PCB if required.