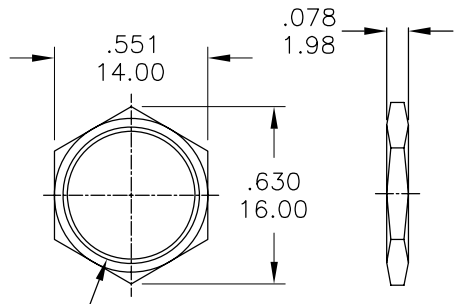
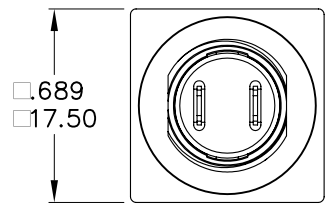
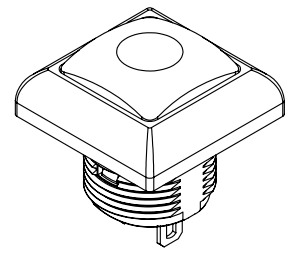
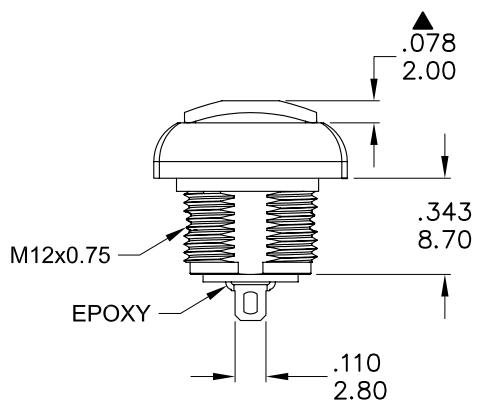
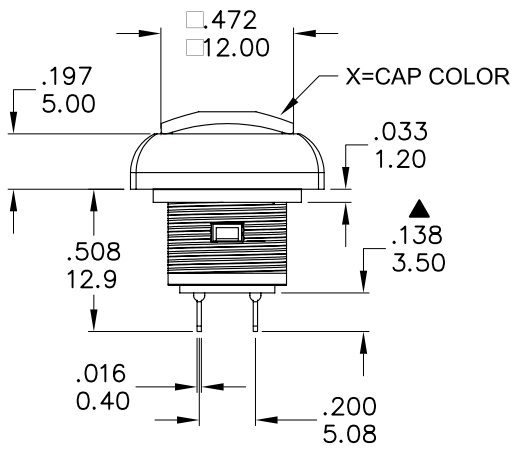
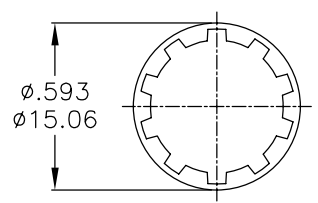


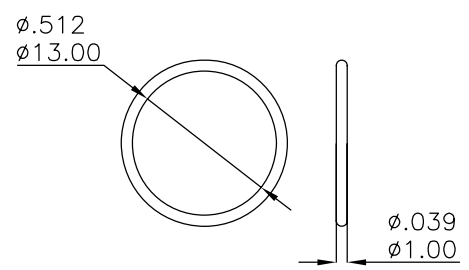
# R1397\*



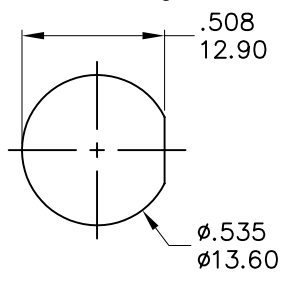
M12X0.75 THD



.021 THK  
0.55



O-Ring X1



Panel cut-out