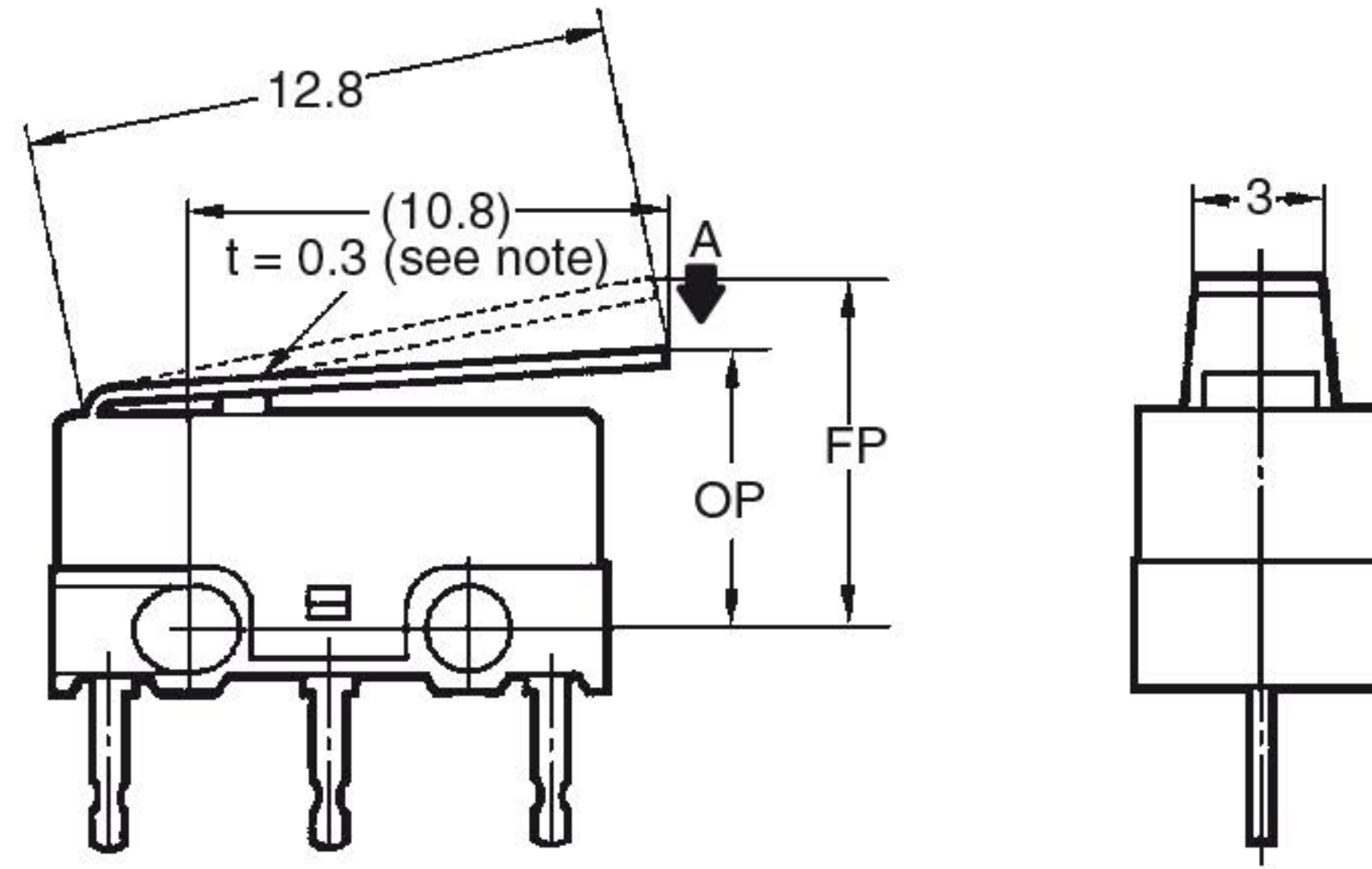
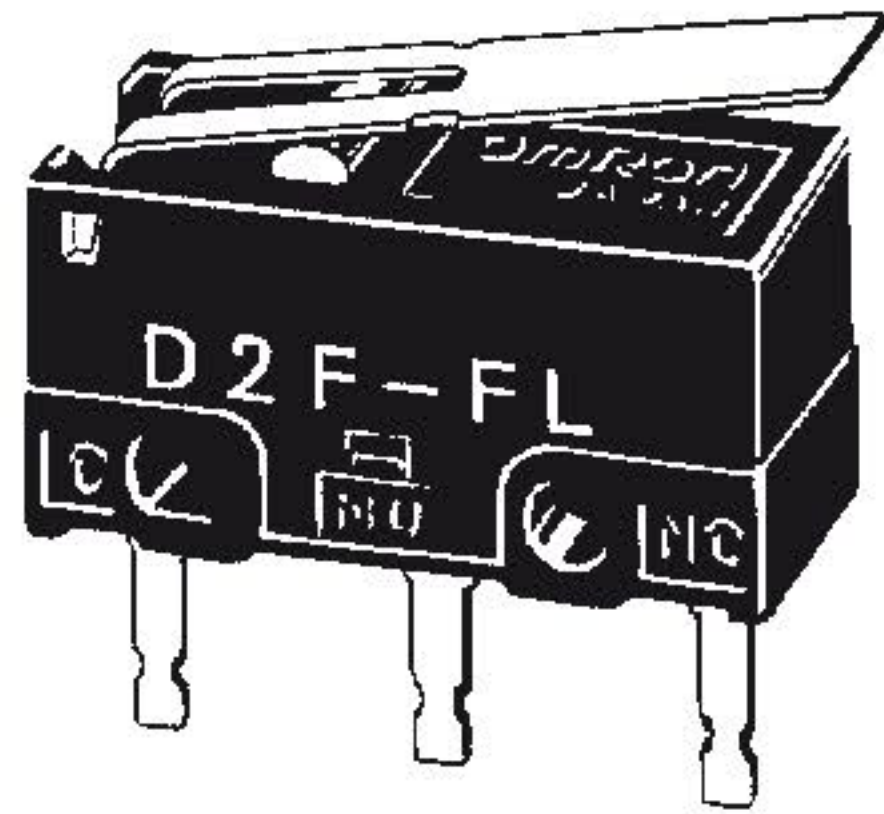


Microrupteur 07187

Hinge Lever Models

D2F-L



| Characteristics | D2F-L |
|-----------------|------------------|
| OF max. | 80 g |
| RF min. | 5 g |
| PT max. | — |
| OT min. | 0.55 mm |
| MD max. | 0.5 mm |
| OP | 6.8 ± 1.5 mm |
| FP max. | 10 mm |

PCB terminals

D2F

