

## Anti-static Shielding Bags with a zip-lock



**RoHS**  
COMPLIANT  
EN 61340-5-3



Designed to provide a static safe environment for sensitive electronic devices  
Capable of static shielding. Keep contents away from potential static danger  
Contents inside the bag will not electrostatically charge during movement.

Color-Silver white, Translucent

### Materials

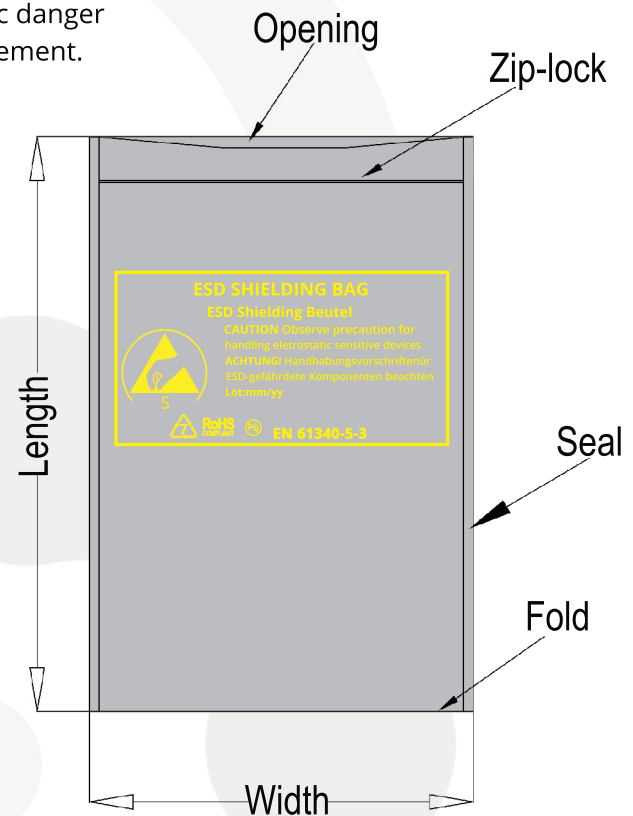
Outer Surface- PET + Antistatic agent

Inner Layer-CPP + Antistatic agent

### Features

- Dissipative outer section with anti-static interior
- Heat sealed edges
- Low charging anti-static zipper which is recloseable and reusable

| Properties                     | Typical value                             |
|--------------------------------|---|
| Thickness                      | 0.14mm +/-15%                             |
| Surface Resistance             | $1 \times 10^8 - 1 \times 10^{10} \Omega$ |
| Adaptable relative humidity    | 20% ~ 90%                                 |
| Adaptable relative temperature | -10°C to 40°C                             |



### Storage Instructions

- Store this product in its original packaging in a climate-controlled environment
- Pay attention to moisture, avoid acid, alkali and other organic chemicals

\*Lifespan 10 to 12 months after manufacturing

| Item No   | Width (mm) | Length(mm) |
|-----------|------------|------------|
| 1903EC101 | 75         | 125        |
| 1903EC102 | 127        | 203        |
| 1903EC103 | 200        | 250        |
| 1903EC104 | 250        | 300        |
| 1903EC105 | 300        | 400        |