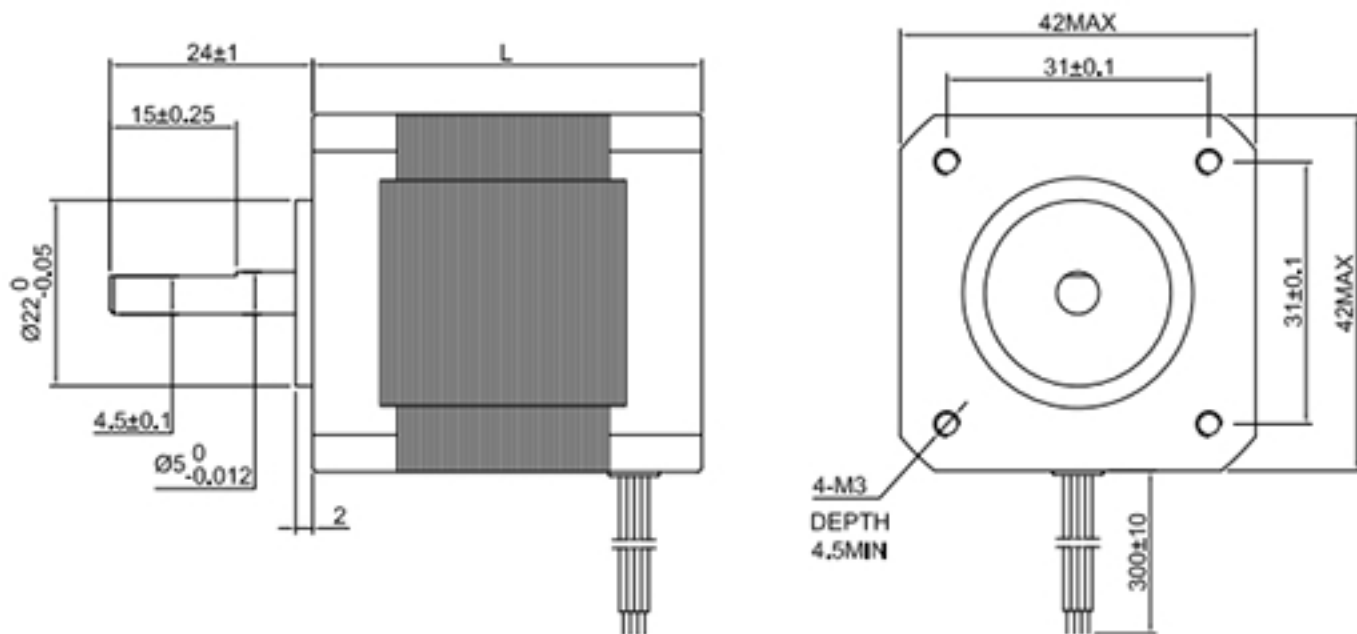


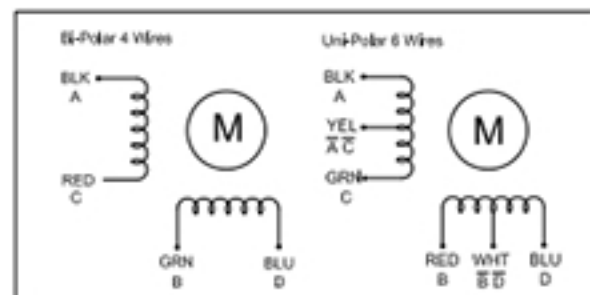
□ 42.3mm (□ 1.67in.)

Step Angle 1.8° 17HS High-Torque Type

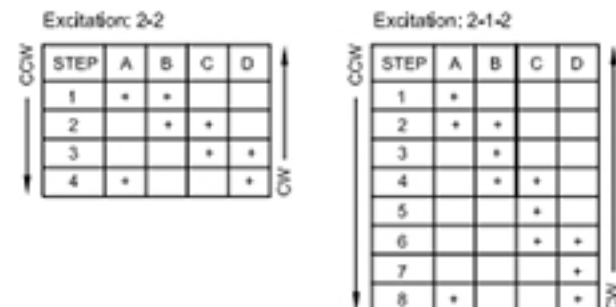
■ Dimension Unit = mm(in.)



■ Wiring Diagram



■ Excitation Sequence



■ Specifications

Model	Torque		Voltage	Current	Resistance	Inductance	Inertia	Bi/Unipolar	Weight	Length "L"	
	Ncm	oz.in	V/Phase	A/Phase	Ohm/Phase	mH/Phase	g.cm ²	# of Leads	Kg	mm	in
17HS15-0404S	40	56.6	12	0.4	30	58	54	Bi (4)	0.24	39	1.54