

MATERIAL AND FINISHES:

BASE: LCP

CONTACT: BRASS

C2680 (t=0.15)

PLATED: GOLD (0.03 MICROMETER MINIMUM) OVER NICKEL (1~4 MICROMETER)

OUTER CONTACT: PHOSPHOR BRONZE (JIS 5191-SH) C5210 (t=0.12)

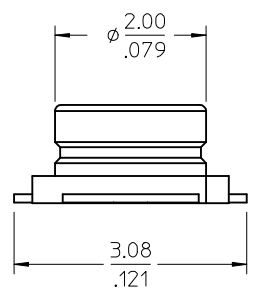
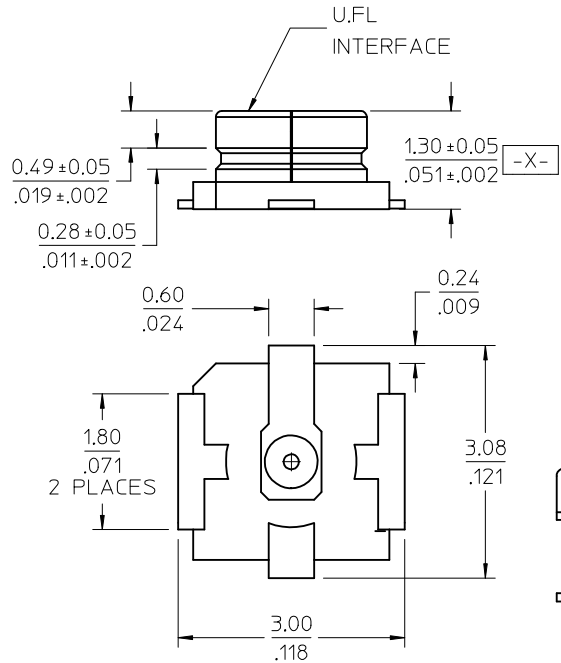
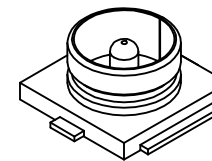
PLATED: GOLD (0.03 MICROMETER MINIMUM) OVER NICKEL (1~4 MICROMETER)

WILL WITHSTAND REFLOW TEMPERATURE OF 265 DEG C ±5 DEG

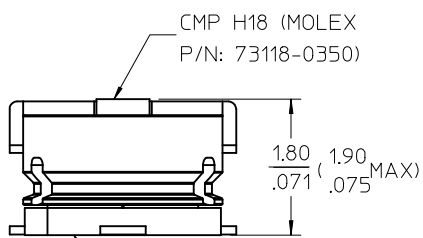
VSWR

DC-3GHz: 1.18 MAX

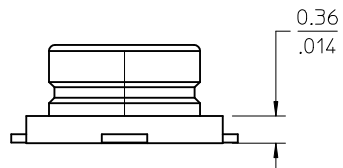
DC-6GHz: 1.30 MAX



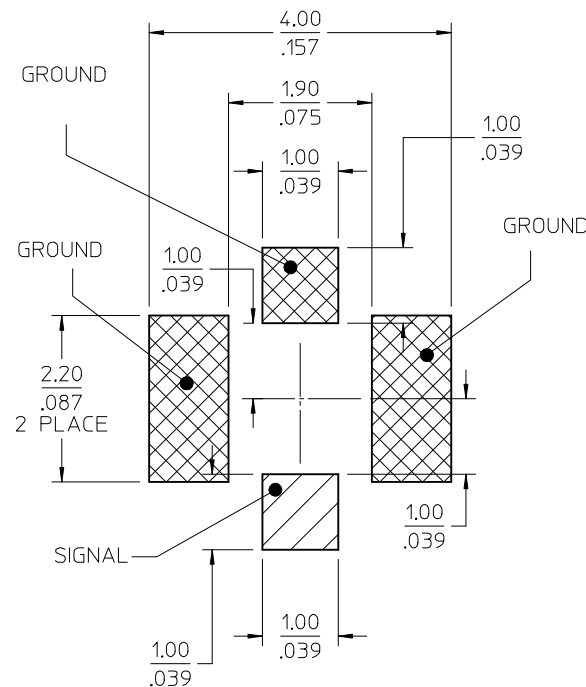
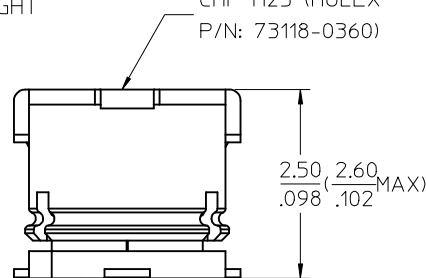
MATED HEIGHT



(NOT INCLUDED WITH 73118-0350 ASSEMBLY)



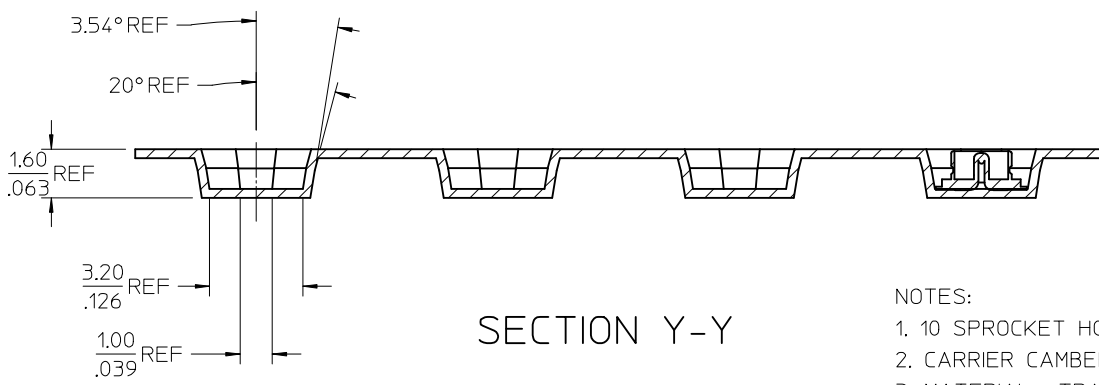
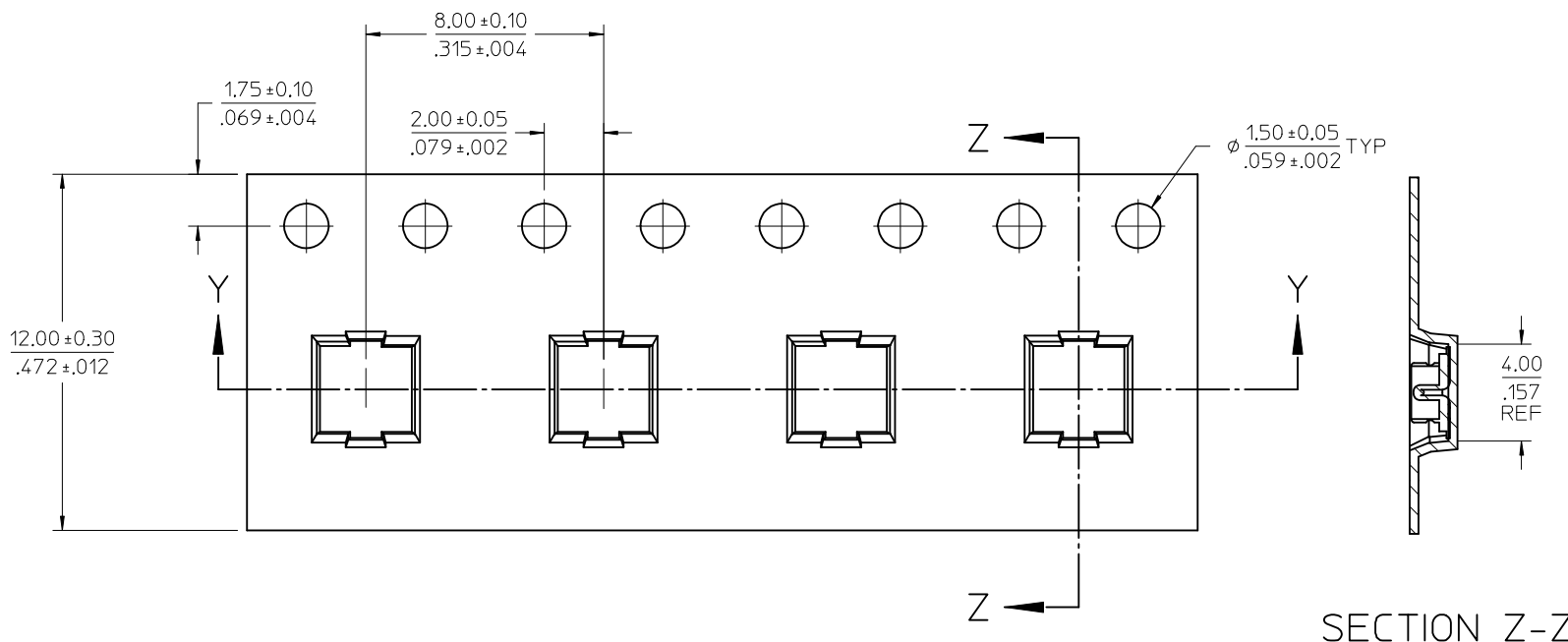
(NOT INCLUDED WITH 73118-0360 ASSEMBLY)



PS-73598-0210	PROD SPEC
SPECIFICATION	DESCRIPTION

73412-0114	TAPE AND REEL (1K/REEL)
73412-0112	73412-0110, 10 PIECES PER BAG IN TAPE
73412-0110	TAPE AND REEL (5K/REEL)
PART NO.	PACKAGING

CHG: REMOVE OPTIONAL NOTE FROM NOTCH AND PCB LAYOUT	EC NO: URF2014-0056	QUALITY SYMBOLS ▽=0 ▽=0	GENERAL TOLERANCES (UNLESS SPECIFIED)	DIMENSION STYLE		SCALE	DESIGN UNITS	THIRD ANGLE PROJECTION
	DRWN: JWIENER 2013/07/24			MM/IN	METRIC			
CHKD: SSS 2013/07/24	APPR: JWIENER 2013/07/29	DESCRIPTION	mm	INCH	DRAWN BY	DATE	TITLE	SHEET NO. 1 OF 2
DRAFT WHERE APPLICABLE MUST REMAIN WITHIN DIMENSIONS			4 PLACES ± ---	± ---	DARRY	2003/1/27	MICRO COAXIAL CONNECTOR RECEPTACLE VERTICAL EWR-4537	
SEE TABLE			3 PLACES ± ---	± ---	CHECKED BY	DATE	MOLEX INCORPORATED	DOCUMENT NO. SD-73412-011
THIS DRAWING CONTAINS INFORMATION THAT IS PROPRIETARY TO MOLEX INCORPORATED AND SHOULD NOT BE USED WITHOUT WRITTEN PERMISSION			2 PLACES ± 0.25	± ---	JOHNSON	2003/1/27		
			1 PLACE ± 0.13	± ---	APPROVED BY	DATE		
			ANGULAR ± 2 °		MHUANG	2010/11/28		



SECTION Z-Z

SECTION Y-Y

- NOTES:
- 10 SPROCKET HOLE PITCH CUMULATIVE TOLERANCE $\pm 0.20\text{mm}$
 - CARRIER CAMBER IS WITH 1mm IN 250mm
 - MATERIAL : TRANSPARENT POLYSTYRENE
 - ALL DIMENSIONS MEET EIA-481-1 REQUIREMENT
 - COMPONENT LOAD PER 13" REEL (5,000 PCS),
COMPONENT LOAD PER 7" REEL (1,000 PCS),

CHG: SEE SHEET 1 EC NO: URF2014-0056 DRWN: JWIENER 2013/07/24 CHKD: SSS 2013/07/24 APPR: JWIENER 2013/07/29	QUALITY SYMBOLS $\nabla=0$ $\nabla=0$	GENERAL TOLERANCES (UNLESS SPECIFIED)		DIMENSION STYLE MM/IN	SCALE METRIC	DESIGN UNITS METRIC	THIRD ANGLE PROJECTION		
		4 PLACES \pm --- \pm --- 3 PLACES \pm --- \pm --- 2 PLACES ± 0.25 \pm --- 1 PLACE ± 0.13 \pm ---	mm INCH mm INCH mm INCH mm INCH	DRAWN BY DARRY	DATE 2003/1/27			TITLE MICRO COAXIAL CONNECTOR RECEPTACLE VERTICAL EWR-4537	
		ANGULAR $\pm 2^\circ$		CHECKED BY JOHNSON	DATE 2003/1/27	APPROVED BY MHUANG	DATE 2010/11/28	MATERIAL NO. SEE SHEET 1	DOCUMENT NO. SD-73412-011
		DRAFT WHERE APPLICABLE MUST REMAIN WITHIN DIMENSIONS		SIZE C	THIS DRAWING CONTAINS INFORMATION THAT IS PROPRIETARY TO MOLEX INCORPORATED AND SHOULD NOT BE USED WITHOUT WRITTEN PERMISSION				