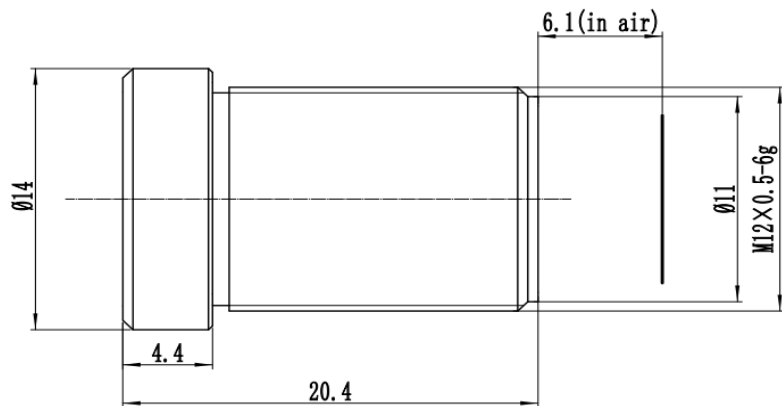


PARAMETER OF LENS/产品参数

产品型号 (Model)		GJ-M12-25IR(5MP)-3		
焦距 <Focal-Length (mm)>		25mm		
分辨率 (Resolution)		5 Megapixel		
像面尺寸 (Image format)		1/2"		
相对孔径 (Aperture)		F2.4		
接口 (Mount)		M12		
视场角 (Field Angle) D*H*V(°)	" / °	1/2"	1/3"	1/4"
	D	18.3	13.8	10.4
	H	14.7	11.1	8.3
	V	11.1	8.3	6.3
畸变 (Distortion)		1.13%	0.64%	0.36%
主光速入射角 (CRA)		≤7.4°		
最小物距 <M.O.D >		0.3m		
外形尺寸 < Dimension (mm)>		Φ14×20.4mm		
重量 (Weight)		5g		
光学后焦距 <BFL>		11.98mm(in air)		
机械后焦距<MBF>		6.1mm(in air)		
日夜共焦 (IR Correction)		Yes		
操作方式 (Operation)	聚焦 (Focus)	/		
	变倍 (Zoom)	/		
	Iris光圈	固定光圈 (Fixed)		



尺寸公差Size Tolerance: 0-10±0.05; 10-30±0.10; 30-120±0.20

角度公差Angle Tolerance: ±2°

注意事项/Notes:

- 1、工作温度/Working temperature: -20℃-- +60℃。
- 2、光学镀膜对于镜头的成像至关重要，使用中需要小心轻放避免刮伤镀膜/Optical coating is very important for lens imaging. It should be handled with care to avoid scratching the coating.
- 3、镜头内含精密光机部件，请在运输、使用过程中的剧烈震动/The lens contains precision optical and mechanical components. Please avoid violent vibration during transportation and use.

