
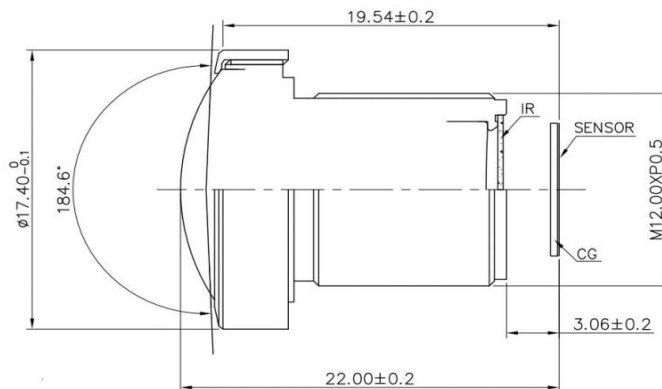


PARAMETER OF LENS/产品参数

产品型号 (Model)	GJ-C2725-650	
焦距 <Focal-Length (mm)>	2.7±5%	
分辨率 (Resolution)	15 Megapixel	
像面尺寸 (Image format)	1/2.3"	
相对孔径 (Aperture)	F2.5	
接口 (Mount)	M12	
视场角 (Field Angle) D*H*V(°)		1/2.3"
	D	184.6°
	H	140°
	V	102.6°
TV畸变 (TV Distortion)	<-21.8%	
主光速入射角 (CRA)	<14.1°	
最小物距 <M.O.D >	1.0m	
外形尺寸 < Dimension (mm)>	Φ17.4×18.94mm	
光学后焦距 <BFL>	4.25mm	
机械后焦距 <MBF>	3.06mm	
操作方式 (Operation)	聚焦 (Focus)	/
	变倍 (Zoom)	/
	Iris光圈	固定光圈 (Fixed)



尺寸公差Size Tolerance: 0-10±0.1; 10-30±0.30; 30-120±0.50

角度公差Angle Tolerance: ±2°

注意事项/Notes:

- 1、工作温度/Working temperature: -20℃-- +60℃。
- 2、光学镀膜对于镜头的成像至关重要，使用中需要小心轻放避免刮伤镀膜/Optical coating is very important for lens imaging. It should be handled with care to avoid scratching the coating.
- 3、镜头内含精密光机部件，请避免在运输、使用过程中的剧烈震动/The lens contains precision optical and mechanical components. Please avoid violent vibration during transportation and use.

