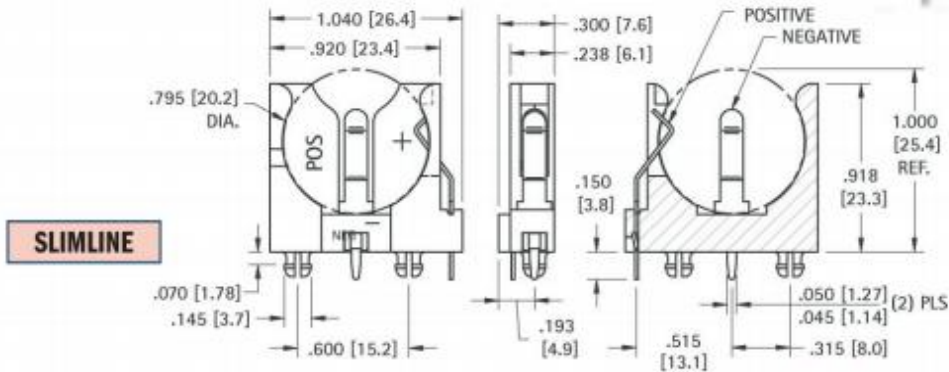
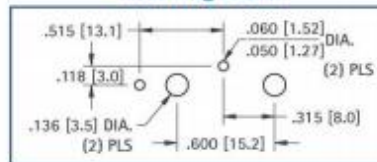


A "unique" space saving design. The battery is installed vertically from the top. The contacts of this holder are polarized to assure proper continuity and circuit protection.

- Polarized holder
- Mounts securely for wave soldering
- Reliable spring tension assures low contact resistance
- Retains 20mm batteries securely to withstand shock and vibration
- Temperature range -60°F to +293°F (-50°C to +145°C)



Mounting Detail



MATERIAL:

Contacts: .016 (.41) thick Spring Steel, Tin Nickel Plate

Base: PBT, UL Rated 94V-0

CAT. NO. 1065