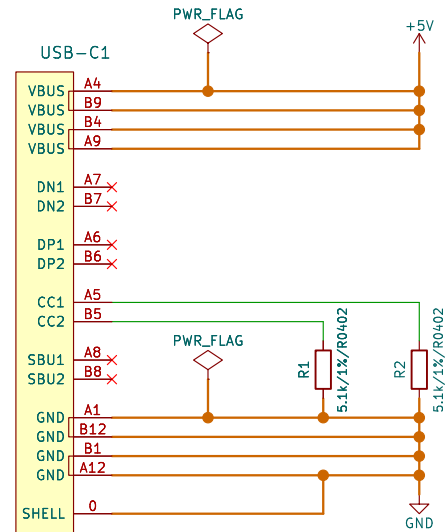
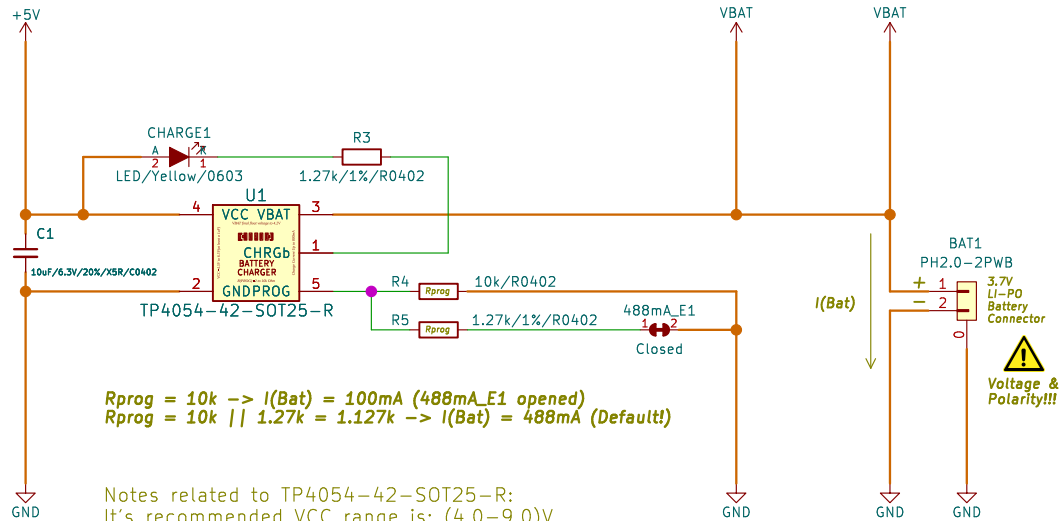


# USB-C Connector



USB-C-16P-F(A40-00119-A52-12)

# LiPo Charger



$R_{prog} = 10k \rightarrow I(Bat) = 100mA$  (488mA\_E1 opened)  
 $R_{prog} = 10k || 1.27k = 1.127k \rightarrow I(Bat) = 488mA$  (Default!)

Notes related to TP4054-42-SOT25-R:  
 It's recommended VCC range is: (4.0-9.0)V  
 For the Programming Charge Current I(Bat) there are two equations:  
 When  $I(Bat) \leq 0.15A$ , then:  
 $I(Bat) = 1000/R_{prog} = 100mA$   
 When  $I(Bat) > 0.15A$ , then:  
 $R_{prog} = 1000/I(Bat) * (1.2 - 4/3 * I(Bat))$

# Fiducials



<https://www.olimex.com/>  
**OLIMEX LTD.**

Sheet: /  
 File: USB-uLiPo\_Rev\_C.kicad\_sch

**Title: USB-uLiPo**

Size: A4 Date: 2025-09-18

KiCad E.D.A. kicad 7.0.11-7.0.11-ubuntu22.04.1

**Rev: C**

Id: 1/1